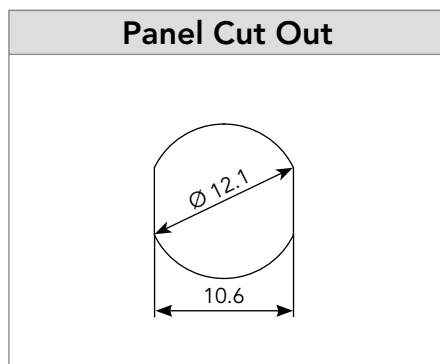
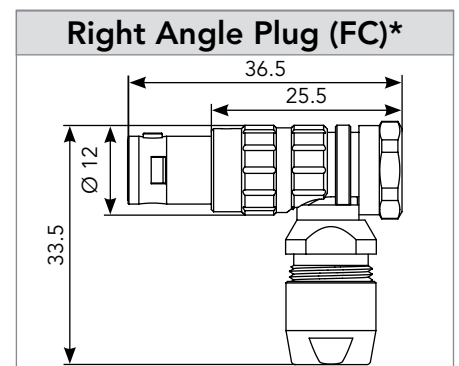
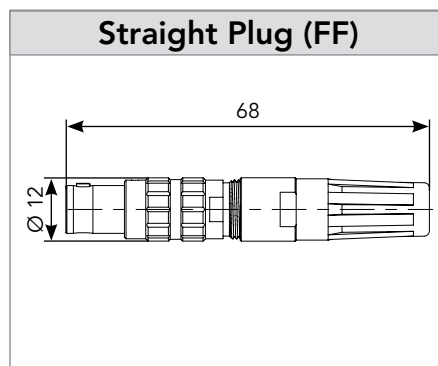
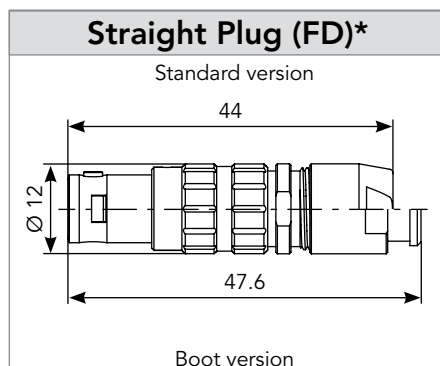
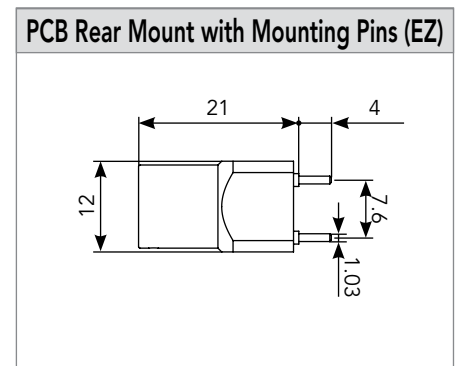
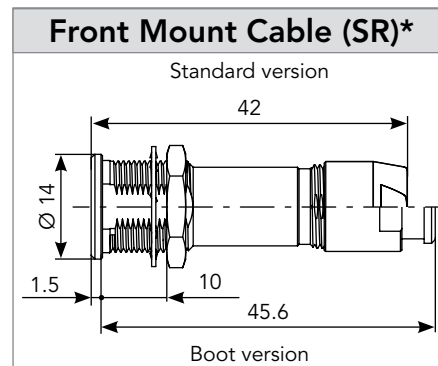
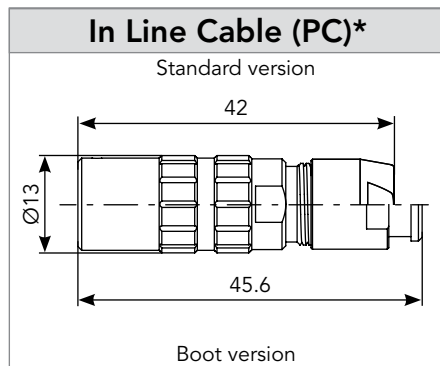
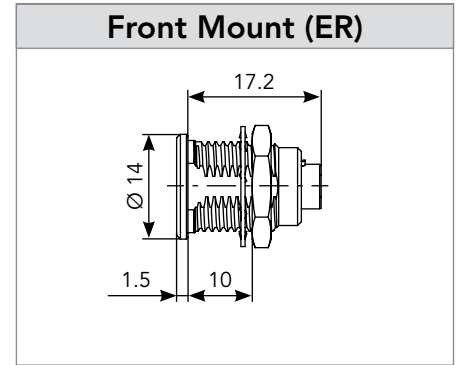
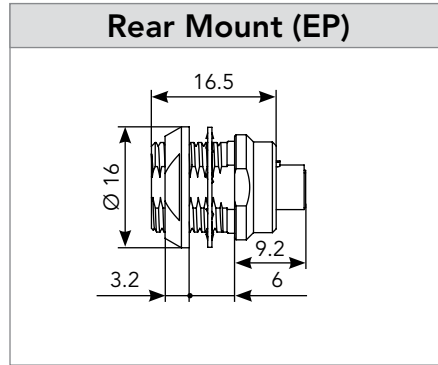
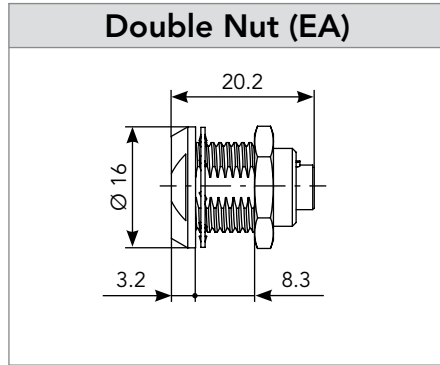


JBX1-02 - IP40 (2 x Ø 1.3 mm)

Dimensions (For mated connector lengths see page 29)



Note: all dimensions are in mm