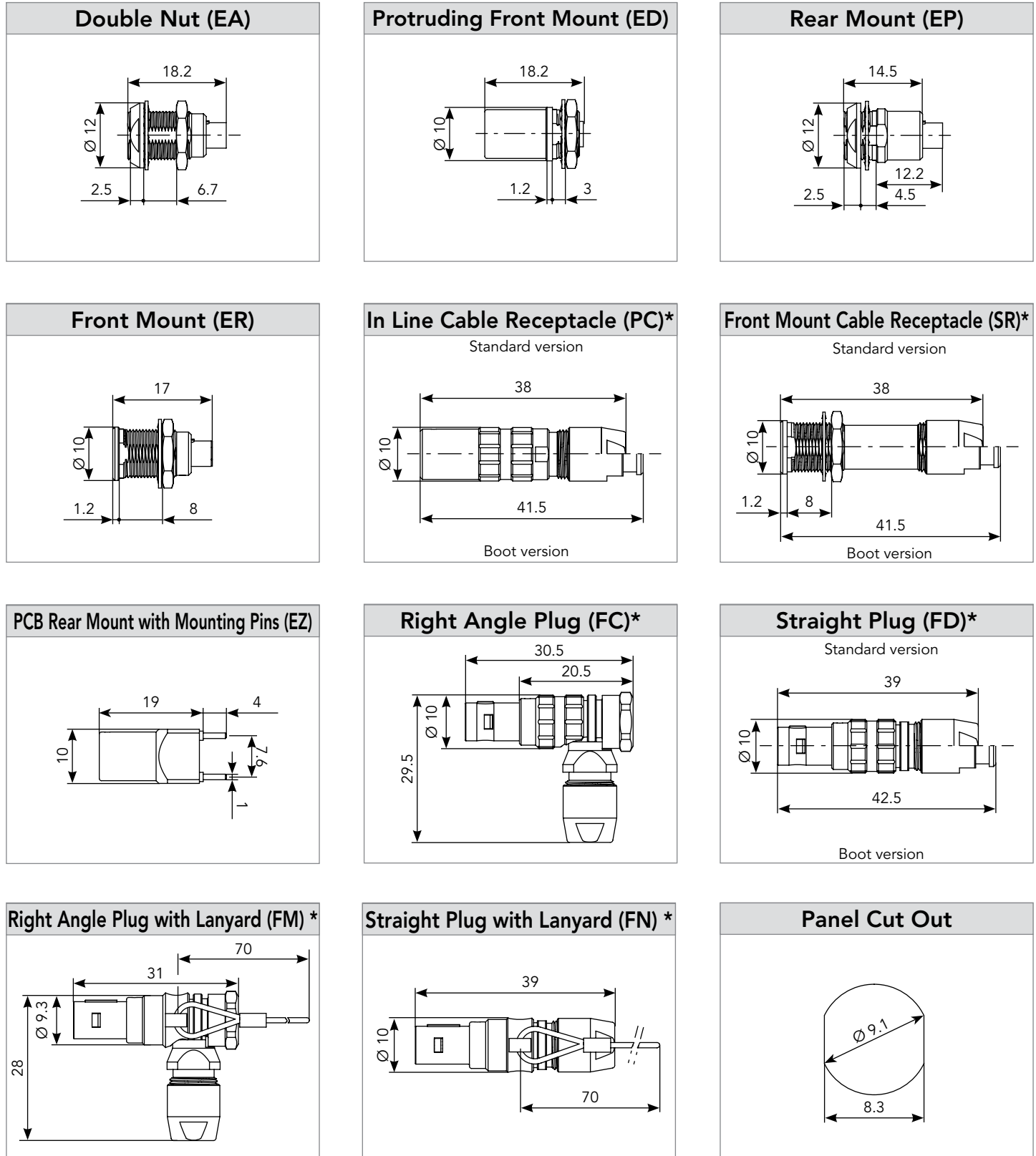


JBX0-04 - IP40 (4 x Ø 0.7mm) - See waterproof IP68 version page 62

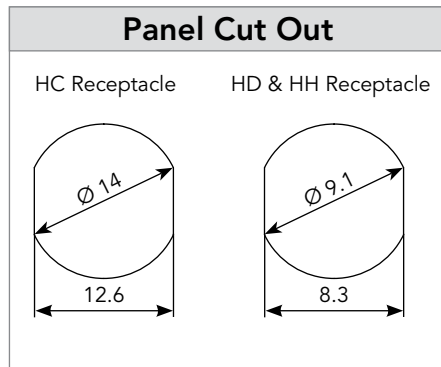
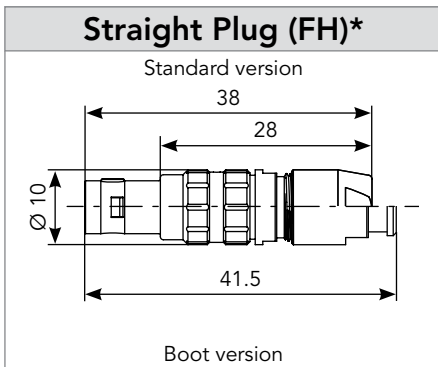
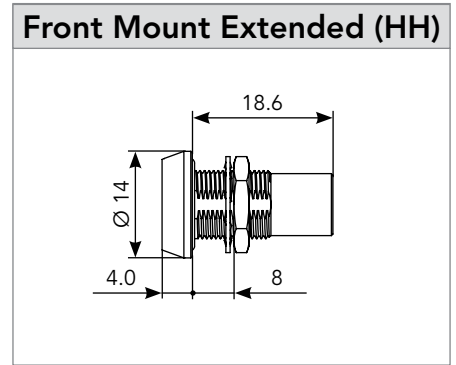
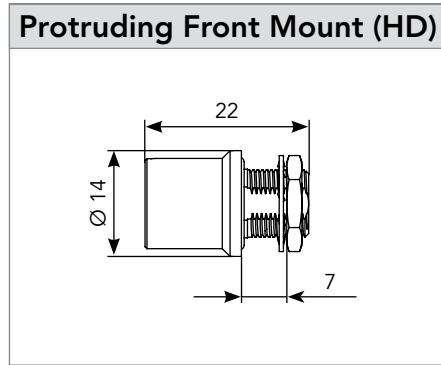
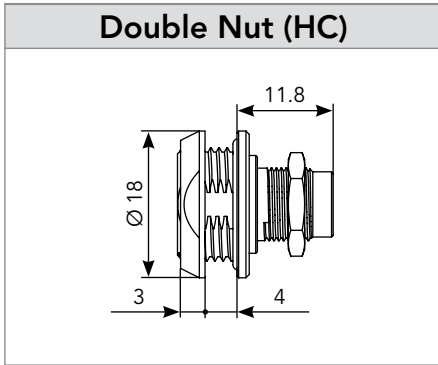
Dimensions (For mated connector lengths see page 65)



Note: all dimensions are in mm

JBX0-04 - IP68 (4 x Ø 0.7mm) - See non sealed IP40 version page 60

Dimensions (For mated connector lengths see page 65)



Note: all dimensions are in mm