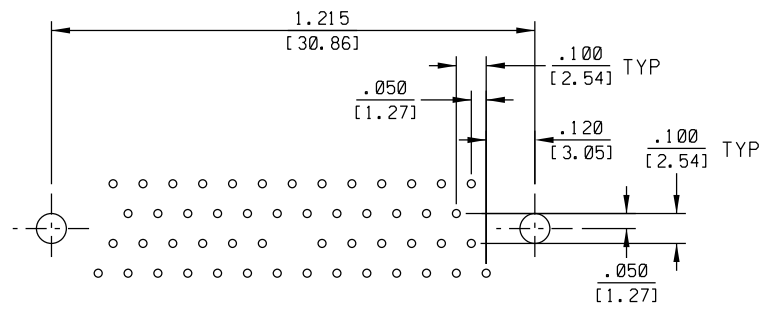
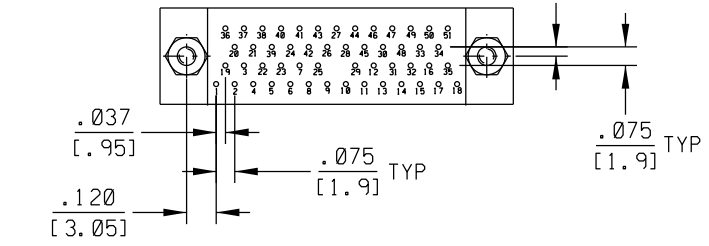
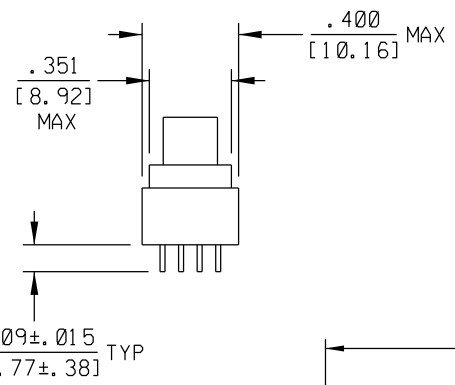
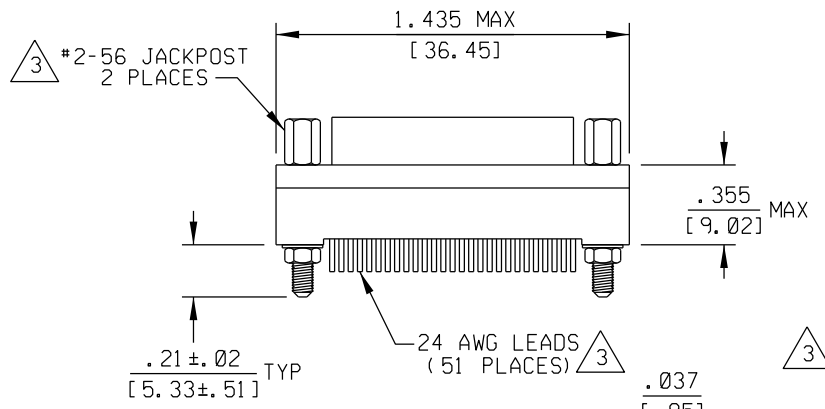
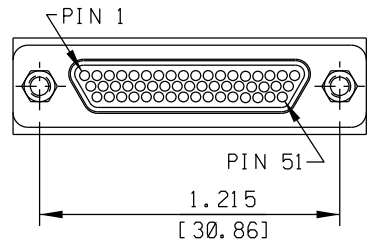


PART REV	DWG ISSUE	DATE	ECN NO.	APPVD BY	REL BY
N/A	A	11-28-12	UMI 4816		



RECOMMENDED PCB LAYOUT
SCALE 4:1

4. PERFORMANCE: MEETS OR EXCEEDS REQUIREMENTS OF MIL-DTL-83513

3 CONSULT FACTORY FOR AVAILABLE OPTIONS

2 MATERIALS:
 SHELL: 6061-T6 ALUMINUM PER SAE-AMS-QQ-A200/8,
 NICKEL PLATED PER AMS 2404
 INSULATOR AND BACKSHELL: PPS PER MIL-M-24519 GST-40F, COLOR: BLACK
 PIN CONTACTS: C17200 BERYLLIUM COPPER PER ASTM B194,
 GOLD PLATED PER ASTM B488
 24 AWG LEADS: TIN PLATED COPPER PER A-A-59551 TYPE S
 HARDWARE: PASSIVATED STAINLESS STEEL IAW MIL-DTL-83513/5

1. MARKINGS: "UMI", UMI DATE CODE, AND UMI PART NUMBER.
 NOTES: UNLESS OTHERWISE SPECIFIED.

QUALITY SYMBOLS MAJOR CRITICAL SPC	UNLESS SPECIFIED: ALL DIMENSIONS IN INCHES/MM	SCALE 2:1	DWG SIZE B	THIRD ANGLE PROJECTION	REVISE ON CAD ONLY
	GENERAL TOLERANCES: 3 PLACE ±.005/.13 2 PLACE ±.01/.25 ANGULAR ±2°	DRAWN BY & DATE DW 12-27-11		TITLE: CIRCUIT CONNECTOR, PLUG (PINS), SIZE 51-3, .075 X .075, CM7R51-3P07-S01	
	Ulti-Mate CAGE CODE 58967	CHECKED BY & DATE		MATERIAL: 2 3 Ulti-Mate Connector Inc.	
		APPROVED BY & DATE	CAD FILENAME WB-8361 71 91 7. DGN	PART NO. 8361 71 91 7	DRAWING NO. SD-8361 71 91 7

THIS DRAWING CONTAINS INFORMATION THAT IS PROPRIETARY TO ULTI-MATE INCORPORATED AND SHOULD NOT BE USED WITHOUT WRITTEN PERMISSION.