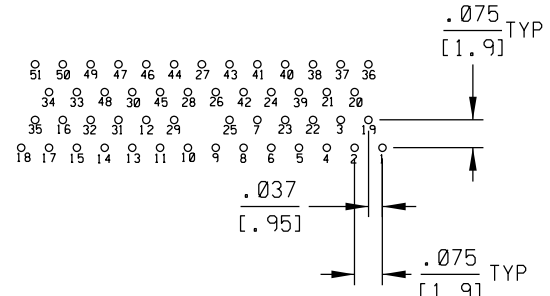
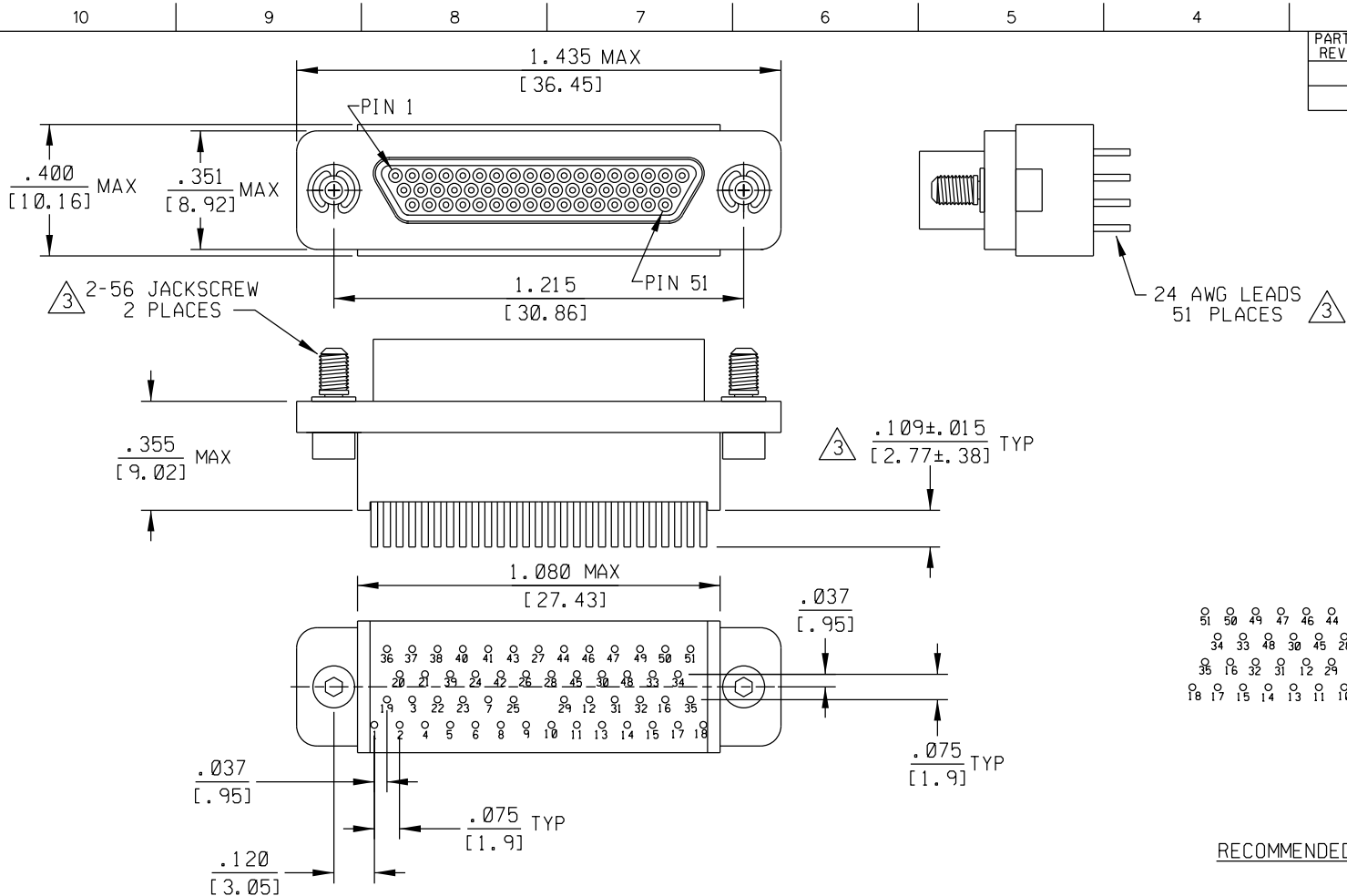


PART REV		DWG ISSUE	DATE	ECN NO.		APPVD BY	REL BY



4. PERFORMANCE: MEETS OR EXCEEDS REQUIREMENTS OF MIL-DTL-8351 3

3 CONSULT FACTORY FOR AVAILABLE OPTIONS

2 MATERIALS:  
 SHELL: 6061-T6 ALUMINUM PER SAE-AMS-QQ-A200/8, NICKEL PLATED PER AMS 2404  
 INSULATOR AND BACKSHELL: PPS PER MIL-M-24519 GST-40F, COLOR: BLACK  
 PIN CONTACTS: C17200 BERYLLIUM COPPER PER ASTM-B194, GOLD PLATED PER ASTM B488  
 24 AWG LEADS: TIN PLATED COPPER PER A-A-59551 TYPE S  
 HARDWARE: PASSIVATED STAINLESS STEEL IAW MIL-DTL-8351 3/5

1. MARKINGS: UMI, UMI DATE CODE, AND UMI PART NUMBER

NOTES: UNLESS OTHERWISE SPECIFIED

QUALITY SYMBOLS MAJOR CRITICAL SPC	UNLESS SPECIFIED: ALL DIMENSIONS IN INCHES/MM	SCALE 3:1	DWG SIZE B	THIRD ANGLE PROJECTION	REVISE ON CAD ONLY		
	GENERAL TOLERANCES: 3 PLACE ±.005/.13 2 PLACE ±.01/.25 ANGULAR ±2°	DRAWN BY & DATE DW 1-4-12	TITLE: CIRCUIT CONNECTOR, PLUG (PINS), SIZE 51-3, STYLE 17 BACKSHELL, CMI 7R51-3P02-S01			MATERIAL: 2 3 Ulti-Mate Connector Inc.	
	APPROVED BY & DATE	CAD FILENAME SD-8361 71 21 2.DGN			PART NO. 8361 71 21 2	DRAWING NO. SD-8361 71 21 2	SHEET NO. 1 OF 1
	Ulti-Mate CAGE CODE 58967	THIS DRAWING CONTAINS INFORMATION THAT IS PROPRIETARY TO ULTI-MATE INCORPORATED AND SHOULD NOT BE USED WITHOUT WRITTEN PERMISSION.					REV