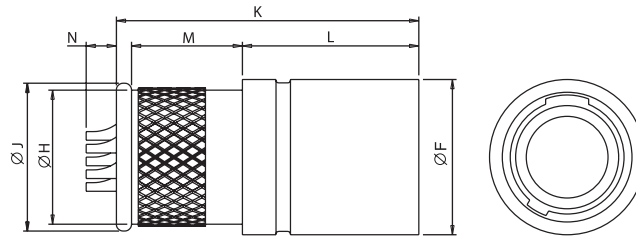


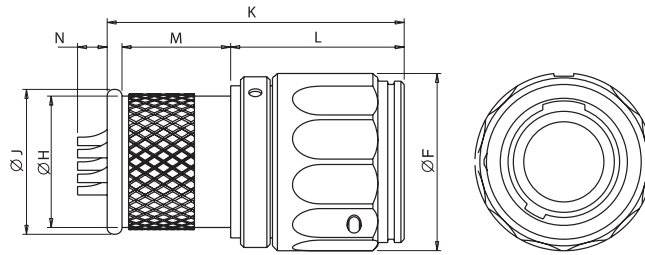
RECEPTACLES (PINS)

SCE2-X-01K - IN-LINE RECEPTACLE WITH INTEGRAL BACKSHELL



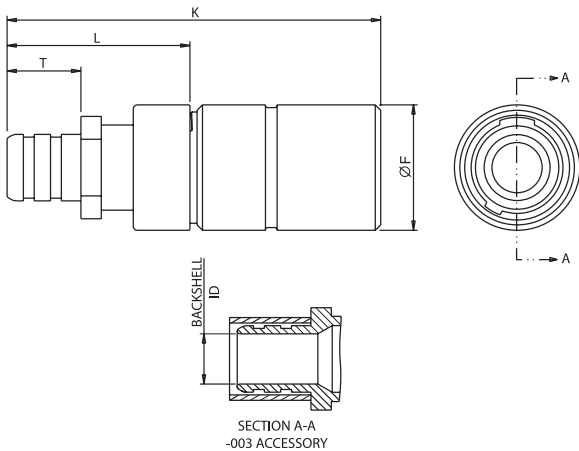
SHELL SIZE	ØF	ØH	ØJ	K	L	M	N
06	.462 (11.73)	.399 (10.13)	.440 (11.18)	.900 (22.86)	.525 (13.34)	.330 (8.38)	.090 (2.29)
07	.575 (14.61)	.460 (11.68)	.505 (12.83)	.900 (22.86)	.525 (13.34)	.330 (8.38)	.090 (2.29)
08	.620 (15.75)	.581 (14.76)	.620 (15.75)	.900 (22.86)	.525 (13.34)	.330 (8.38)	.090 (2.29)
09	.690 (17.51)	.651 (16.54)	.690 (17.53)	.970 (24.64)	.525 (13.34)	.400 (10.16)	.090 (2.29)
10	.760 (19.29)	.721 (18.31)	.760 (19.30)	.970 (24.64)	.525 (13.34)	.400 (10.16)	.090 (2.29)

SCE2-X-L1K - IN-LINE LATCHING RECEPTACLE WITH INTEGRAL BACKSHELL



SHELL SIZE	ØF	ØH	ØJ	K	L	M	N
06	.540 (13.75)	.399 (10.14)	.440 (11.18)	.902 (22.91)	.527 (13.39)	.330 (8.38)	.090 (2.29)
07	.610 (15.50)	.447 (11.35)	.505 (12.83)	.902 (22.91)	.527 (13.39)	.330 (8.38)	.090 (2.29)
08	.700 (17.77)	.581 (14.75)	.620 (15.75)	.902 (22.91)	.527 (13.39)	.330 (8.38)	.090 (2.29)
09	.770 (19.56)	.651 (16.54)	.690 (17.53)	.972 (24.69)	.527 (13.39)	.400 (10.16)	.090 (2.29)
10	.840 (21.34)	.721 (18.31)	.760 (19.30)	.972 (24.69)	.527 (13.39)	.400 (10.16)	.090 (2.29)

SCE2-X-01T - IN-LINE RECEPTACLE WITH THREADED BACKSHELL

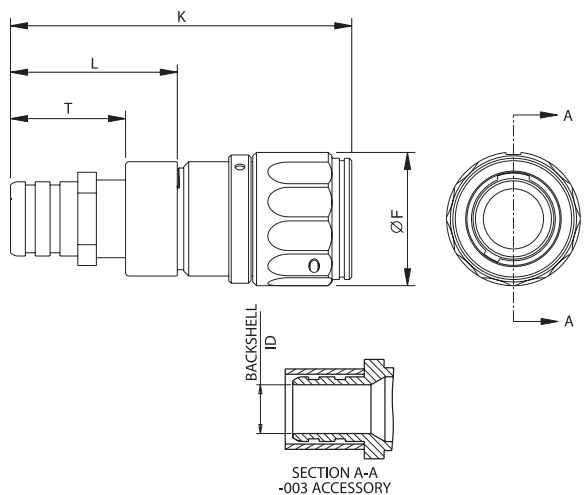


SHELL SIZE	ØF	K	L	T	BACKSHELL ID
					-003
06	.462 (11.73)	1.377 (34.98)	.674 (17.12)	.272 (6.91)	.185 (4.70)
07	.575 (14.61)	1.377 (34.98)	.674 (17.12)	.272 (6.91)	.265 (6.73)
08	.620 (15.75)	1.377 (34.98)	.674 (17.12)	.272 (6.91)	.345 (8.76)
09	.690 (17.53)	1.447 (36.75)	.674 (17.12)	.272 (6.91)	.425 (10.80)
10	.760 (19.30)	1.447 (36.75)	.674 (17.12)	.272 (6.91)	.505 (12.83)

All dimensions in inches (millimeters in parenthesis)

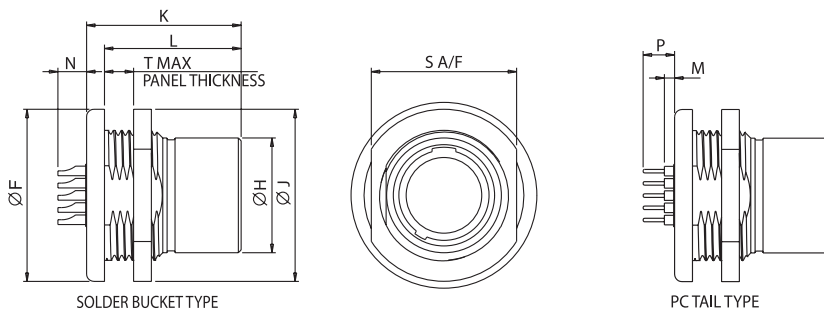
RECEPTACLES (PINS)

SCE2-X-L1T - IN-LINE LATCHING RECEPTACLE WITH THREADED BACKSHELL



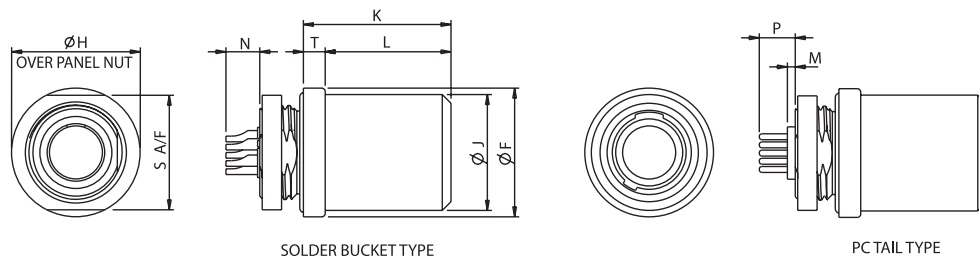
SHELL SIZE	ØF	K	L	T	BACKSHELL ID -003
Size 06	.540 (13.70)	1.379 (35.03)	.674 (17.12)	.465 (11.81)	.185 (4.70)
Size 07	.610 (15.50)	1.379 (35.03)	.674 (17.12)	.465 (11.81)	.265 (6.73)
Size 08	.700 (17.77)	1.379 (35.03)	.674 (17.12)	.465 (11.81)	.345 (8.76)
Size 09	.770 (19.56)	1.449 (36.80)	.674 (17.12)	.465 (11.81)	.425 (10.80)
Size 10	.840 (21.34)	1.470 (37.34)	.674 (17.12)	.465 (11.81)	.505 (12.83)

SCE2-X-07A - JAM NUT - REAR MOUNT RECEPTACLE



SHELL SIZE	ØF	ØH	ØJ	K	L	M	N	P	SAF	TMAX
Size 06	.750 (19.05)	.462 (11.73)	.750 (19.05)	.835 (21.21)	.738 (18.75)	.055 (1.40)	.155 (3.94)	.170 (4.42)	.665 (16.88)	.157 (4.45)
Size 07	.895 (22.73)	.575 (14.61)	.895 (22.73)	.835 (21.21)	.738 (18.75)	.055 (1.40)	.155 (3.94)	.170 (4.42)	.750 (19.05)	.157 (4.45)
Size 08	.930 (23.62)	.620 (15.75)	.930 (23.62)	.835 (21.21)	.738 (18.75)	.055 (1.40)	.155 (3.94)	.170 (4.42)	.785 (19.94)	.157 (4.45)
Size 09	1.000 (25.38)	.690 (17.53)	1.005 (25.53)	.905 (22.99)	.808 (20.52)	N/A	.155 (3.94)	.170 (4.42)	.863 (21.92)	.157 (4.45)
Size 10	1.070 (27.18)	.760 (19.30)	1.080 (27.43)	.905 (22.99)	.808 (20.52)	N/A	.155 (3.94)	.170 (4.42)	.940 (23.88)	.157 (4.45)

SCE2-X-71A - JAM NUT - FRONT MOUNT RECEPTACLE

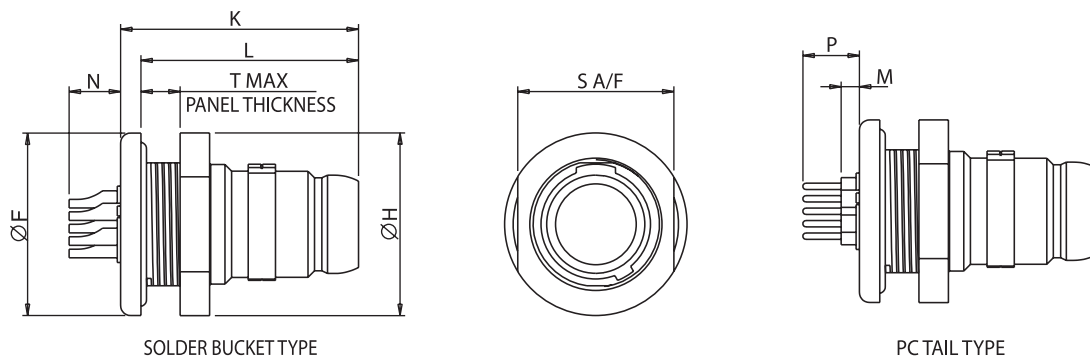


SHELL SIZE	ØF	ØH	ØJ	K	L	M	N	P	SAF	TMAX
Size 06	N/A	.531 (13.48)	.550 (13.97)	.677 (17.19)	N/A	.015 (0.38)	.113 (2.87)	.130 (3.30)	.470 (11.94)	N/A
Size 07	.750 (19.04)	.575 (14.61)	.750 (19.04)	.677 (17.19)	.577 (14.65)	.015 (0.38)	.113 (2.87)	.130 (3.30)	.665 (16.89)	.100 (2.54)
Size 08	.760 (19.30)	.620 (15.75)	.760 (19.30)	.877 (22.28)	.677 (17.20)	.015 (0.38)	.113 (2.87)	.130 (3.30)	.825 (20.96)	.100 (2.54)
Size 09	.890 (22.61)	.690 (17.53)	.890 (22.61)	.947 (24.05)	.747 (18.97)	N/A	.113 (2.87)	.060 (1.52)	.955 (24.26)	.100 (2.54)
Size 10	.930 (20.62)	.760 (19.30)	.930 (20.62)	.947 (24.05)	.747 (18.97)	N/A	.113 (2.87)	.060 (1.52)	.995 (25.27)	.100 (2.54)

All dimensions in inches (millimeters in parenthesis)

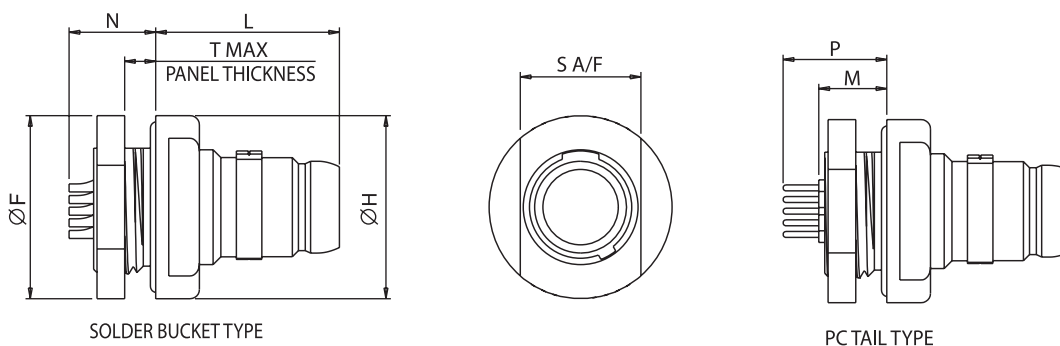
PLUGS (SOCKETS)

SCE2-X-76A - JAM NUT - REAR MOUNT PLUG



SHELL SIZE	ØF	ØH	K	L	M	N	P	S A/F	T MAX.
06	.550 (13.97)	.550 (13.97)	.716 (18.19)	.655 (16.64)	.055 (1.40)	.155 (3.94)	.170 (4.32)	.470 (11.94)	.118 (3.00)
07	.620 (15.75)	.600 (15.24)	.716 (18.19)	.655 (16.64)	.055 (1.40)	.155 (3.94)	.170 (4.32)	.510 (12.95)	.118 (3.00)
08	.760 (19.30)	.760 (19.30)	.716 (18.19)	.655 (16.64)	.055 (1.40)	.155 (3.94)	.170 (4.32)	.706 (17.93)	.118 (3.00)
09	.890 (22.61)	.830 (21.08)	.802 (20.37)	.725 (18.42)	.114 (2.89)	.069 (1.75)	.234 (5.94)	.745 (18.92)	.125 (3.18)
10	.930 (20.62)	.900 (22.86)	.802 (20.37)	.725 (18.42)	.114 (2.89)	.069 (1.75)	.234 (5.94)	.808 (20.52)	.125 (3.18)

SCE2-X-67A - JAM NUT - FRONT MOUNT PLUG

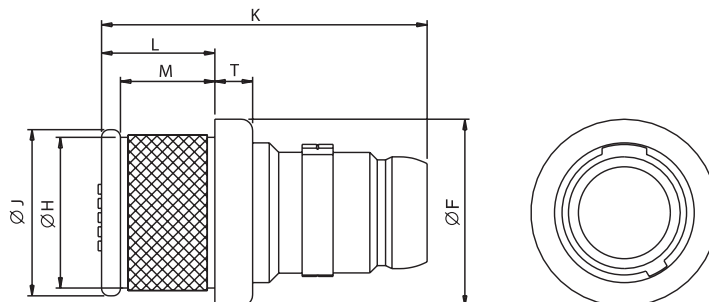


SHELL SIZE	ØF	ØH	L	M	N	P	S A/F	T MAX.
06	.590 (14.99)	.590 (14.99)	.592 (13.04)	.324 (8.23)	.279 (7.09)	.424 (10.78)	.525 (13.34)	.100 (2.54)
07	.750 (19.05)	.750 (19.05)	.592 (13.04)	.324 (8.23)	.279 (7.09)	.444 (11.27)	.665 (16.89)	.100 (2.54)
08	.760 (19.30)	.760 (19.30)	.592 (13.04)	.324 (8.23)	.279 (7.09)	.444 (11.27)	.706 (17.93)	.100 (2.54)
09	.890 (22.61)	.890 (22.61)	.662 (16.82)	.254 (6.45)	.209 (5.31)	.354 (8.99)	.955 (24.26)	.100 (2.54)
10	.930 (23.62)	.930 (23.62)	.662 (16.82)	.254 (6.45)	.209 (5.31)	.354 (8.99)	.995 (25.27)	.100 (2.54)

All dimensions in inches (millimeters in parenthesis)

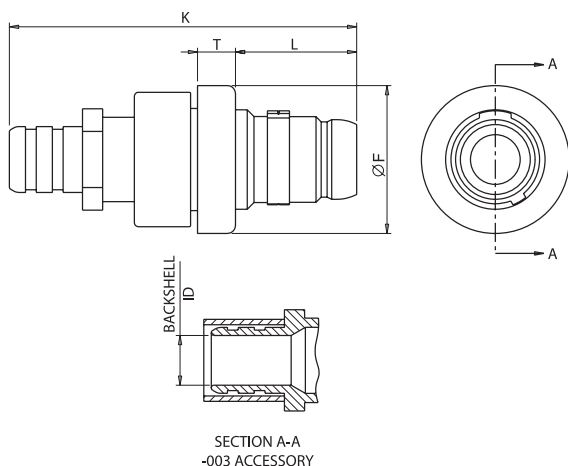
PLUGS (SOCKETS)

SCE2-X-06K - IN-LINE PLUG WITH INTEGRAL BACKSHELL



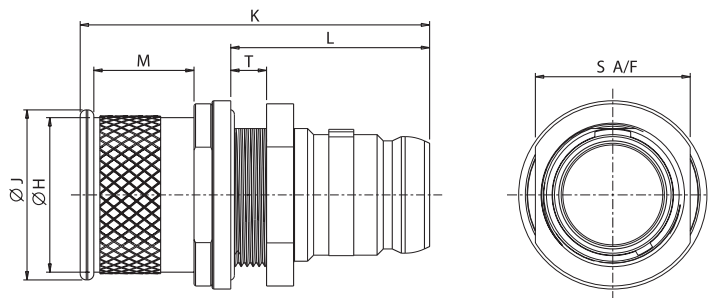
SHELL SIZE	ØF	ØH	ØJ	K	L	M	T
06	.495 (12.57)	.412 (10.46)	.440 (11.18)	.862 (21.89)	.300 (7.62)	.250 (6.35)	.100 (2.54)
07	.575 (14.61)	.460 (11.68)	.505 (12.83)	.862 (21.89)	.300 (7.62)	.250 (6.35)	.100 (2.54)
08	.650 (16.51)	.593 (15.06)	.620 (15.75)	.862 (21.89)	.300 (7.62)	.250 (6.35)	.100 (2.54)
09	.720 (18.23)	.663 (16.84)	.690 (17.53)	.932 (23.67)	.317 (8.05)	.267 (6.78)	.100 (2.54)
10	.790 (20.06)	.733 (18.61)	.760 (19.30)	.932 (23.67)	.317 (8.05)	.267 (6.78)	.100 (2.54)

SCE2-X-06T - IN-LINE PLUG WITH THREADED BACKSHELL



SHELL SIZE	ØF	K	L	T	BACKSHELL ID
					-003
06	.550 (13.97)	1.292 (32.82)	.451 (11.46)	.141 (3.58)	.185 (4.70)
07	.630 (16.00)	1.292 (32.82)	.451 (11.46)	.141 (3.58)	.265 (6.73)
08	.705 (17.91)	1.292 (32.82)	.451 (11.46)	.141 (3.58)	.345 (8.76)
09	.780 (19.81)	1.362 (34.60)	.521 (13.23)	.141 (3.58)	.425 (10.80)
10	.855 (21.72)	1.362 (34.60)	.521 (13.23)	.141 (3.58)	.505 (12.83)

SCE2-X-76T - JAM NUT - REAR MOUNT PLUG WITH SCREW-ON BACKSHELL



SHELL SIZE	ØH	ØJ	K	L	M	S A/F	T MAX.
06	.460 (11.68)	.490 (12.45)	1.150 (29.21)	.655 (16.64)	.330 (8.38)	.470 (11.94)	.118 (3.00)
07	.600 (15.24)	.560 (14.21)	1.150 (29.21)	.655 (16.64)	.330 (8.38)	.510 (12.95)	.118 (3.00)
08	.730 (18.54)	.730 (18.53)	1.150 (29.21)	.655 (16.64)	.330 (8.38)	.706 (17.93)	.118 (3.00)
09	.790 (20.07)	.793 (20.13)	1.237 (31.40)	.725 (18.42)	.330 (8.38)	.745 (18.92)	.125 (3.18)
10	.860 (21.84)	.900 (22.86)	1.220 (30.99)	.725 (18.42)	.330 (8.38)	.808 (20.52)	.125 (3.18)

All dimensions in inches (millimeters in parenthesis)