

## SMB/SMC COAXIAL CONNECTORS

The Connex SMB/SMC subminiature coaxial connectors with 50 ohm impedance are for applications to 4 GHz (SMB) or 10 GHz (SMC). Generally less expensive than SMA, these connectors are used primarily in applications for microwave telephone and other non-defense telecommunications requirements.

**SMB connectors** feature quick connect/disconnect snap-on mating and operate to 4 GHz with low reflection.

**SMC connectors** have #10-32UNF-threaded screw-on couplings and operate reliably to 10 GHz.

**Mini 75 ohm connectors** are matched-impedance SMB connectors to be used with 75 ohm miniature coax cables. The connectors are the same size as, and intermateable with, standard 50 ohm connectors. Just add -75 to the standard 50 ohm part number to get a 75 ohm connector.

## ELECTRICAL SPECIFICATIONS

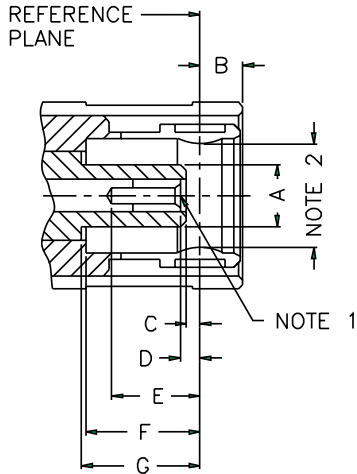
ELECTRICAL DATA		SMB		SMC	
Impedance		50 ohm		50 ohm	
Frequency range		0–4 GHz		0–10 GHz	
VSWR *f in GHz	Cable dielectric dimensions	0.87 mm [.034"]	1.5 mm [.059"]	0.87 mm [.034"]	1.5 mm [.059"]
	Straight connector DC–1000 MHz	1.3 + 0.04f	1.25 + 0.04f	1.25 + 0.04f	1.15 + 0.04f
	Right angle connector DC–1000 MHz	1.4 + 0.08f	1.3 + 0.04f	1.4 + 0.06f	1.25 + 0.04f
Dielectric withstanding Voltage 50 Hz rms		750V	1000V	750V	1000V
Working voltage 50 Hz rms		250V	335V	250V	335V
Working voltage DC		350V	450V	350V	450V
Insulation resistance		1000 Megohms min		1000 Megohms min	
Contact	Inner conductor	≤ 3 Megohms		≤ 3 Megohms	
Resistance	Outer conductor	≤ 0.5 Megohms		≤ 0.5 Megohms	
Insertion loss (db max.)	Straight connectors	.30 db max. at 1.5 GHz		.25 db max. at 4 GHz	
	Right angle connectors	.60 db max. at 1.5 GHz		.50 db max. at 4 GHz	

## MATERIAL SPECIFICATIONS

PARTS NAME		MATERIAL	FINISH
Body, Metal parts		Brass per QQ-B-626	Nickel or gold per requirement
Contacts	Male	Brass per QQ-B-626	30u" Gold
	Female	Beryllium copper, Per QQ-C-530, heat treated per MIL-H-7199	30u" Gold
Insulators		PTFE	None
Gasket		Silicone rubber	None
Crimp ferrules		Seamless copper tubing alloy	Nickel or gold per requirement

# SMB COAXIAL CONNECTORS

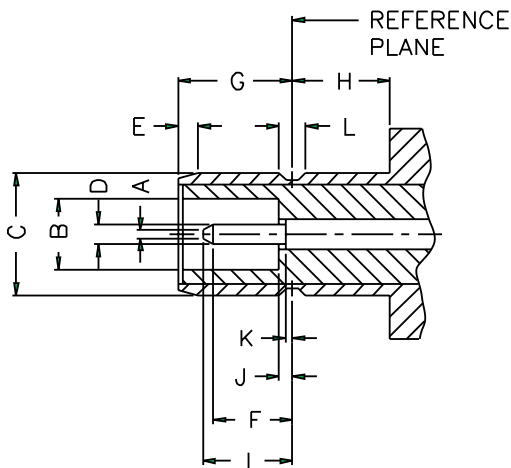
## INTERFACE MATING DIMENSIONS



### PLUG

Letter	Millimeters [Inches]	
	Minimum	Maximum
A	2.00 [.079]	2.06 [.081]
B	–	1.62 [.064]
C	0.18 [.007]	–
D	0.18 [.007]	0.94 [.037]
E	2.97 [.117]	–
F	3.58 [.141]	–
G	3.58 [.141]	–

### JACK

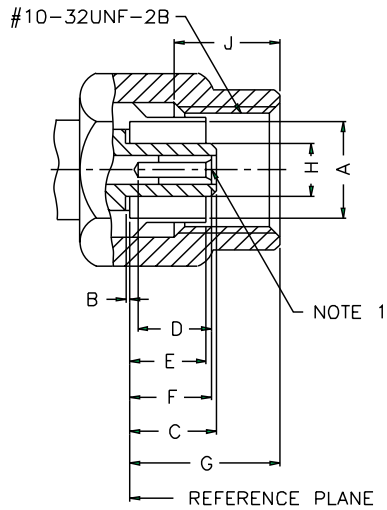


Letter	Millimeters [Inches]	
	Minimum	Maximum
A	–	0.25 [.010]
B	2.08 [.082]	2.16 [.085]
C	3.66 [.144]	3.71 [.146]
D	0.48 [.019]	0.53 [.021]
E	0.00	–
F	1.32 [.052]	–
G	3.33 [.131]	3.58 [.141]
H	2.03 [.080]	–
I	–	2.97 [.117]
J	–	0.18 [.007]
K	–	0.18 [.007]
L	0.69 [.027]	0.94 [.037]

NOTE: 1. I.D. TO MEET VSWR AND CONTACT RESISTANCE WHEN MATED WITH .48/.53 MM DIA. PIN.  
 2. MUST MEET THE FORCE TO ENGAGE AND DISENGAGE WHEN MATED WITH MATING PART.

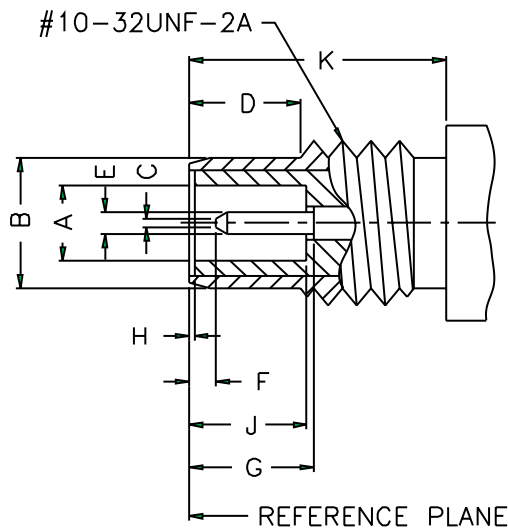
## SMC COAXIAL CONNECTORS

### INTERFACE MATING DIMENSIONS



#### PLUG

Letter	Millimeters [Inches]	
	Minimum	Maximum
A	3.73 [.147]	3.81 [.150]
B	0.00	0.30 [.012]
C	3.15 [.124]	3.40 [.134]
D	2.79 [.110]	—
E	—	3.10 [.122]
F	3.05 [.120]	3.40 [.134]
G	—	5.92 [.233]
H	2.00 [.079]	2.06 [.081]
J	2.79 [.110]	—



#### JACK

Letter	Millimeters [Inches]	
	Minimum	Maximum
A	2.08 [.082]	2.16 [.085]
B	3.63 [.143]	3.71 [.146]
C	—	0.25 [.010]
D	3.12 [.123]	3.38 [.133]
E	0.48 [.019]	0.53 [.021]
F	0.61 [.024]	—
G	3.40 [.134]	3.76 [.148]
H	0.00	0.30 [.012]
J	3.40 [.134]	3.66 [.144]
K	5.94 [.234]	—

NOTE: 1. I.D. TO MEET VSWR AND CONTACT RESISTANCE WHEN MATED WITH .48/.53 MM DIA. PIN.

# SMB/SMC COAXIAL CONNECTORS

All bodies, unless otherwise noted, are machined brass, gold plated 3µ".

All insulators are teflon.

All center contacts are 30µ" gold plated.

All dimensions in millimeters and [inches].

142XXX designates SMB part numbers.

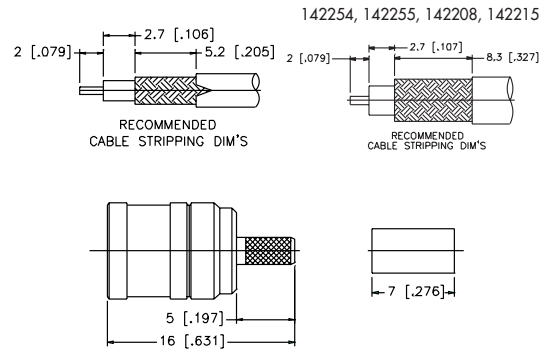
152XXX designates SMC part numbers.

C A B L E G R O U P L E G E N D					
01	58/ 58A/ 58C/ 141/ 303/ LMR195™ / B7806A	06A	179/ U DOUBLE BRAIDED	09	B8227/ 89207
01A	55/ 142/ 223/ 400	07	8/ 8A/ 213/ 393	10	.141 SEMI-RIGID/ 402/U
01B	LMR200™ / B7807A	07A	214	11	.085 SEMI-RIGID/ 405/U
02	58 PLENUM/THINNET/ 122U/ B88240/ B89907	07B	8X/ LMR240™ / B7808A	12	.250 SEMI-RIGID
03	59/ 62/ 140/ 210	07C	B9913/ LMR400™ / B7810A/ B8214	13	.047 SEMI-RIGID/ B1674A
03A	59/ U-20AWG	07D	B89913	14	178/ 196
04	59/ U PLENUM	07E	11	15	B8281/ B9231/ B9141
04A	59/ U PLENUM-20AWG	07F	11/ U-14AWG/ B8213/ B9292/ B7731/ B1859A	15A	B88281
05	174/ 188A/ 316/ B7805A	08	6/ 143/ 212	16	180/ 195/ 122/ B8218/ B1865A/ B1855
05A	316/ U DOUBLE BRAIDED	08A	B1694A/ B9248	17	LMR600™
06	179/ 187/ B9221	08B	6 PLENUM/ B1695A	18	AT&T734A/ B1505A
				19	AT&T735A/ B735A1

## CRIMP ATTACHMENTS FOR FLEXIBLE & SEMI-RIGID CABLE

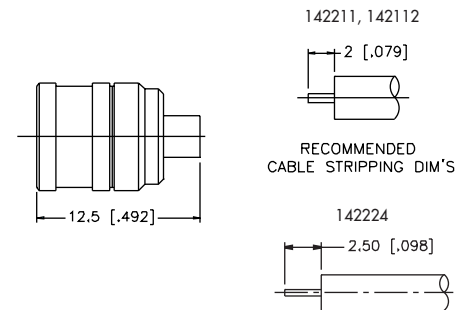
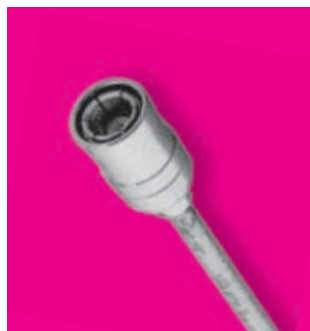
### STRAIGHT CRIMP PLUG — FLEXIBLE CABLE

P.N.	Cable Group	Finish	Insulation	Impedance	Crimp Tool
<b>SMB CONNECTORS</b>					
142254	01	Nickel	Teflon	50	A
142255	01	Gold	Teflon	50	A
142219	01A	Nickel	Teflon	50	A
142220	01A	Gold	Teflon	50	A
142178	05	Nickel	Teflon	50	B
142101	06	Nickel	Teflon	75	B
142186	05	Gold	Teflon	50	B
142103	06	Gold	Teflon	75	B
142183	05A	Nickel	Teflon	50	C
142187	05A	Gold	Teflon	50	C
142228	14	Nickel	Teflon	50	B
142229	14	Gold	Teflon	50	B
142208	16	Gold	Teflon	75	B
142215	19	Gold	Teflon	75	B
142222-75	19	Gold	Teflon	75	B
		MINI 75 OHM			
<b>SMC CONNECTORS</b>					
152134	01	Gold	Teflon	50	A
152100	05	Nickel	Teflon	50	B
152101	05	Gold	Teflon	50	B
152132	05A	Gold	Teflon	50	C



### STRAIGHT SOLDER PLUG — SEMI-RIGID CABLE

P.N.	Cable Group	Finish	Insulation	Impedance	Crimp Tool
<b>SMB CONNECTORS</b>					
142211	11	Nickel	Teflon	50	N/A
142212	11	Gold	Teflon	50	N/A
142224	13	Gold	Teflon	50	N/A
<b>SMC CONNECTORS</b>					
152135	11	Gold	Teflon	50	N/A

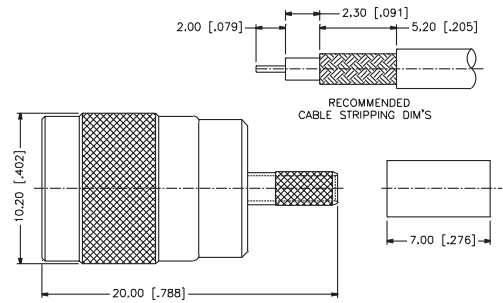


# CRIMP ATTACHMENTS FOR FLEXIBLE CABLE — 75 OHM SNAP LOCK

For Cable Group Legend, see page 54

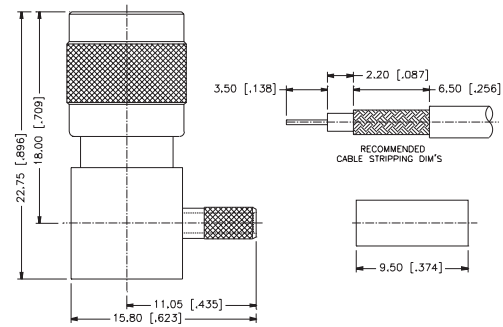
## STRAIGHT CRIMP PLUG — SNAP LOCK

P.N.	Cable Group	Finish	Insulation	Impedance	Crimp Tool
142284	06	Nickel	Teflon	75	B
142285	06A	Nickel	Teflon	75	C
142291	16	Nickel	Teflon	75	B
142289	19	Nickel	Teflon	75	B



## RIGHT ANGLE CRIMP PLUG — SNAP LOCK

P.N.	Cable Group	Finish	Insulation	Impedance	Crimp Tool
142286	06	Nickel	Teflon	75	B
142287	06A	Nickel	Teflon	75	C
142292	16	Nickel	Teflon	75	B
142290	19	Nickel	Teflon	75	B



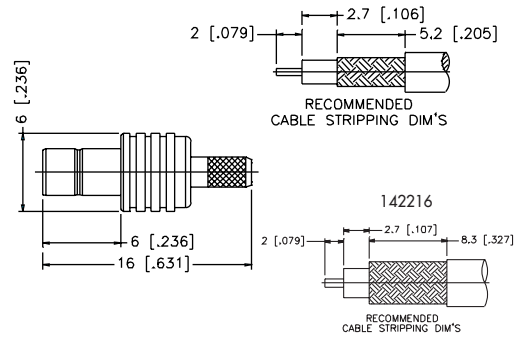
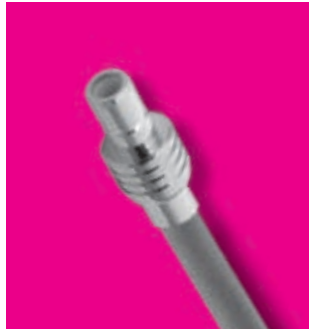
For Mini 75 ohm SMB connector (RG179/U Cable), add -75 to standard 50 ohm part number. Contact Connex marketing for availability.  
 For Reverse Polarizing connectors, add RP to standard part number. Contact Connex marketing for availability.  
 For Crimp Tool information, see page 183.

# CRIMP ATTACHMENTS FOR FLEXIBLE & SEMI-RIGID CABLE

For Cable Group Legend, see page 54

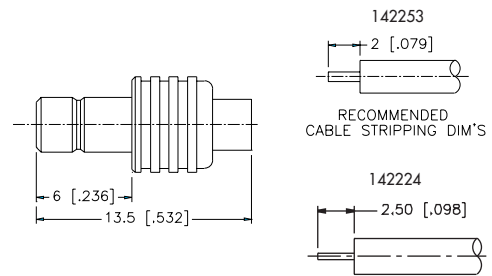
## STRAIGHT CRIMP JACK — FLEXIBLE CABLE

P.N.	Cable Group	Finish	Insulation	Impedance	Crimp Tool
<b>SMB CONNECTORS</b>					
142181	05	Nickel	Teflon	50	B
142105	06	Nickel	Teflon	75	B
142189	05	Gold	Teflon	50	B
142107	06	Gold	Teflon	75	B
142182	05A	Nickel	Teflon	50	C
142190	05A	Gold	Teflon	50	C
142185	14	Nickel	Teflon	50	B
142241	14	Gold	Teflon	50	B
142216	19	Gold	Teflon	75	B
<b>SMC CONNECTORS</b>					
152102	05	Nickel	Teflon	50	B
152103	05	Gold	Teflon	50	B



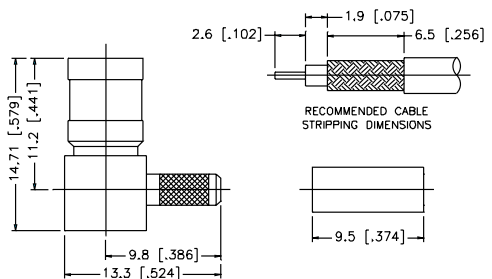
## STRAIGHT SOLDER JACK — SEMI-RIGID CABLE

P.N.	Cable Group	Finish	Insulation	Impedance	Crimp Tool
142253	11	Gold	Teflon	50	N/A
142225	13	Gold	Teflon	50	N/A



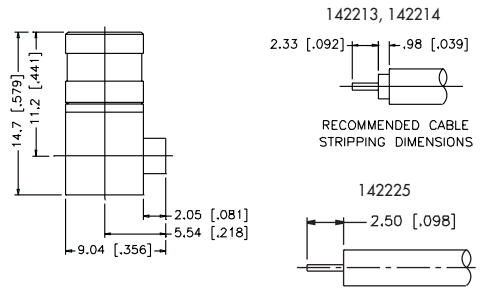
## RIGHT ANGLE CABLE PLUG — FLEXIBLE CABLE

P.N.	Cable Group	Finish	Insulation	Impedance	Crimp Tool
<b>SMB CONNECTORS</b>					
142205	01	Nickel	Teflon	50	A
142206	01	Gold	Teflon	50	A
142193	05	Nickel	Teflon	50	B
142113	06	Nickel	Teflon	75	B
142194	05	Gold	Teflon	50	B
142115	06	Gold	Teflon	75	B
142188	05A	Nickel	Teflon	50	C
142176	05A	Gold	Teflon	50	C
142288	14	Nickel	Teflon	50	B
142195	14	Gold	Teflon	50	B
142203	19	Gold	Teflon	75	B
<b>MINI 75 OHM</b>					
142221-75	19	Gold	Teflon	75	B
<b>SMC CONNECTORS</b>					
152106	05	Nickel	Teflon	50	B
152107	05	Gold	Teflon	50	B



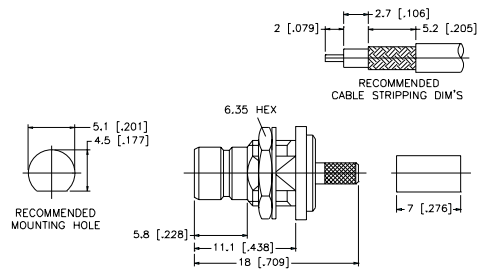
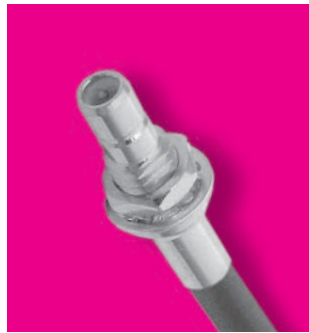
## RIGHT ANGLE CABLE PLUG — SEMI-RIGID CABLE

P.N.	Cable Group	Finish	Insulation	Impedance	Crimp Tool
<b>SMB CONNECTORS</b>					
142213	11	Nickel	Teflon	50	N/A
142214	11	Gold	Teflon	50	N/A
142226	13	Gold	Teflon	50	N/A



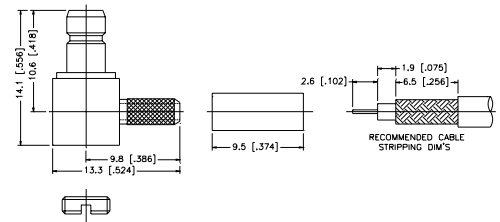
## BULKHEAD FEEDTHROUGH CABLE JACK — FLEXIBLE CABLE & SEMI-RIGID CABLE

P.N.	Cable Group	Finish	Insulation	Impedance	Crimp Tool
<b>SMB CONNECTORS</b>					
142179	05	Nickel	Teflon	50	B
142109	06	Nickel	Teflon	75	B
142191	05	Gold	Teflon	50	B
142111	06	Gold	Teflon	75	B
142180	05	Nickel	Teflon	50	B
142192	05A	Gold	Teflon	50	C
142301	11	Gold	Teflon	50	N/A
142230	14	Nickel	Teflon	50	B
142231	14	Gold	Teflon	50	B
<b>SMC CONNECTORS</b>					
152104	05	Nickel	Teflon	50	B
152105	05	Gold	Teflon	50	B



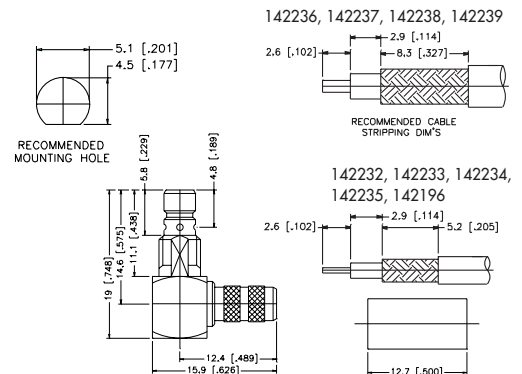
## RIGHT ANGLE CRIMP JACK — FLEXIBLE & SEMI-RIGID CABLE

P.N.	Cable Group	Finish	Insulation	Impedance	Crimp Tool
142251	05	Nickel	Teflon	50	B
142252	05	Gold	Teflon	50	B
142227	13	Gold	Teflon	50	N/A



## RIGHT ANGLE BULKHEAD CRIMP JACK — FLEXIBLE CABLE

P.N.	Cable Group	Finish	Insulation	Impedance	Crimp Tool
<b>SMB CONNECTORS</b>					
142236	01	Nickel	Teflon	50	A
142237	01	Gold	Teflon	50	A
142238	01A	Nickel	Teflon	50	A
142239	01A	Gold	Teflon	50	A
142232	05	Nickel	Teflon	50	B
142233	05	Gold	Teflon	50	B
142234	05A	Nickel	Teflon	50	C
142235	05A	Gold	Teflon	50	C
142196	14	Gold	Teflon	50	B



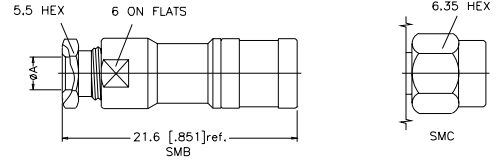
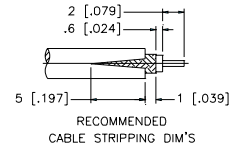
For Mini 75 ohm SMB connector, add -75 to standard 50 ohm part number. Contact Connex marketing for availability.  
For Reverse Polarized connectors, add RP to standard part number. Contact Connex marketing for availability.  
For Crimp Tool information, see page 183.

# CLAMP TERMINATIONS FOR FLEXIBLE CABLE

For Cable Group Legend, see page 54

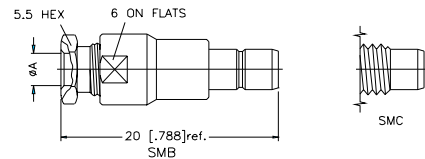
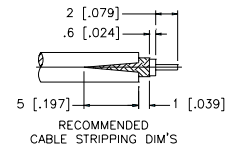
## STRAIGHT CABLE PLUG

P.N.	Cable Group	Finish	Insulation	Impedance	Crimp Tool
<b>SMB CONNECTORS</b>					
142116	05	Nickel	Teflon	50	N/A
142117	06	Nickel	Teflon	75	N/A
142118	05	Gold	Teflon	50	N/A
142119	06	Gold	Teflon	75	N/A



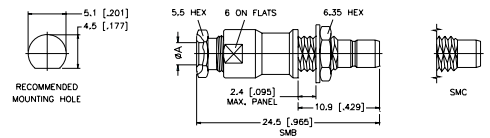
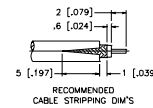
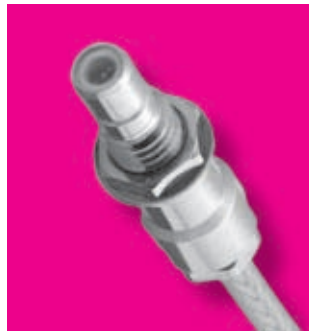
## STRAIGHT CABLE JACK

P.N.	Cable Group	Finish	Insulation	Impedance	Crimp Tool
<b>SMB CONNECTORS</b>					
142120	05	Nickel	Teflon	50	N/A
142121	06	Nickel	Teflon	75	N/A
142122	05	Gold	Teflon	50	N/A
142123	06	Gold	Teflon	75	N/A



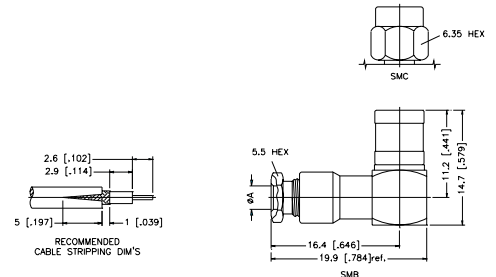
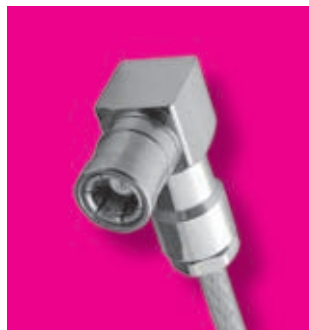
## BULKHEAD FEEDTHROUGH CABLE JACK

P.N.	Cable Group	Finish	Insulation	Impedance	Crimp Tool
<b>SMB CONNECTORS</b>					
142124	05	Nickel	Teflon	50	N/A
142125	06	Nickel	Teflon	75	N/A
142126	05	Gold	Teflon	50	N/A
142127	06	Gold	Teflon	75	N/A



## RIGHT ANGLE CABLE PLUG

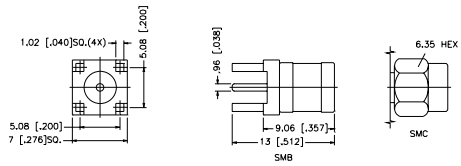
P.N.	Cable Group	Finish	Insulation	Impedance	Crimp Tool
<b>SMB CONNECTORS</b>					
142128	05	Nickel	Teflon	50	N/A
142129	06	Nickel	Teflon	75	N/A
142130	05	Gold	Teflon	50	N/A
142131	06	Gold	Teflon	75	N/A





STRAIGHT PLUG FOR P.C. BOARD

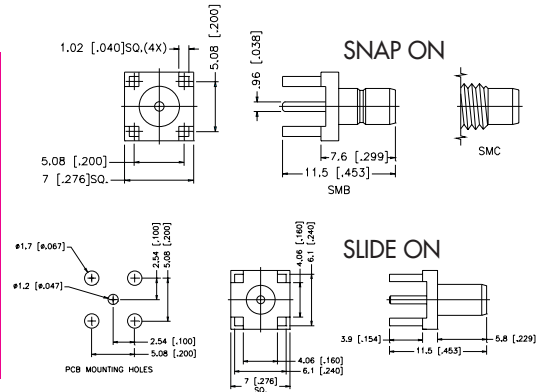
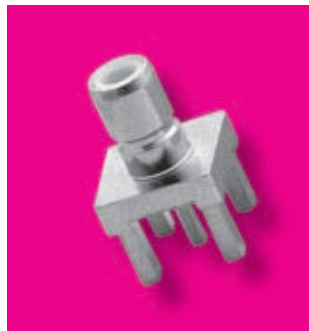
P.N.	Cable Group	Finish	Insulation	Impedance	Crimp Tool
<b>SMB CONNECTORS</b>					
142132	N/A	Nickel	Teflon	50	N/A
142133	N/A	Nickel	Teflon	75	N/A
142134	N/A	Gold	Teflon	50	N/A
142135	N/A	Gold	Teflon	75	N/A
<b>SMC CONNECTORS</b>					
152116	N/A	Nickel	Teflon	50	N/A
152117	N/A	Gold	Teflon	50	N/A



Mounting Hole Dia. see "TYPE B" page 185

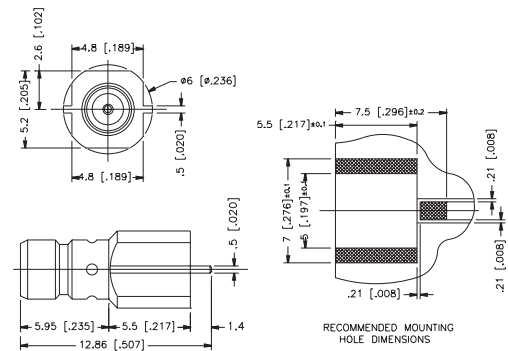
STRAIGHT JACK FOR P.C. BOARD

P.N.	Cable Group	Finish	Insulation	Impedance	Crimp Tool
<b>SMB CONNECTORS</b>					
142136	N/A	Nickel	Teflon	50	N/A
142137	N/A	Nickel	Teflon	75	N/A
142138	N/A	Gold	Teflon	50	N/A
142139	N/A	Gold	Teflon	75	N/A
<b>SLIDE-ON</b>					
142202	N/A	Gold	Teflon	50	N/A
<b>4.43 mm (.175") PCB LEGS</b>					
142217	N/A	Gold	Teflon	75	N/A
<b>SMC CONNECTORS</b>					
152118	N/A	Nickel	Teflon	50	N/A
152119	N/A	Gold	Teflon	50	N/A



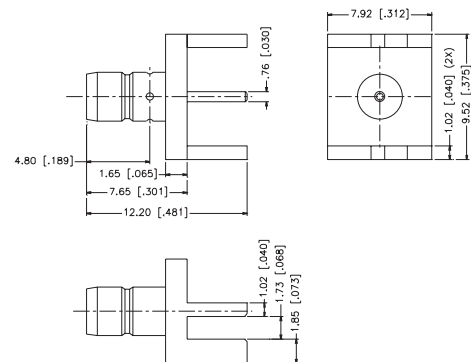
STRAIGHT JACK EDGE CARD MOUNT

P.N.	Cable Group	Finish	Insulation	Impedance	Crimp Tool
142297	N/A	Gold	Teflon	50	N/A



END LAUNCH JACK RECEPTACLE

P.N.	Cable Group	Finish	Insulation	Impedance	Crimp Tool
142311	N/A	Gold	Teflon	50	N/A



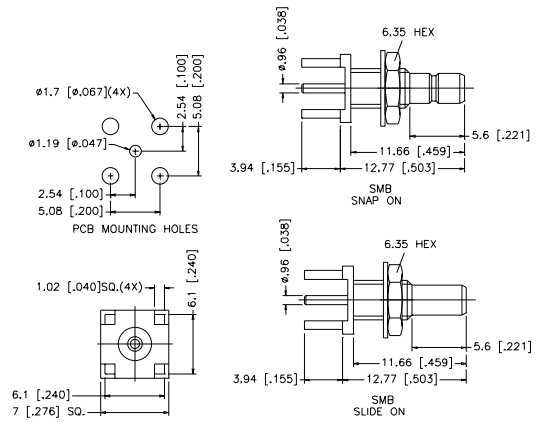
For Mini 75 ohm SMB connector (RG179/U Cable), add -75 to standard 50 ohm part number. Contact Connex marketing for availability.  
 For Reverse Polarized connectors, add RP to standard part number. Contact Connex marketing for availability.  
 For Crimp Tool information, see page 183.

# PRINTED CIRCUIT BOARD/STRAIGHT TERMINALS

For Cable Group Legend, see page 54

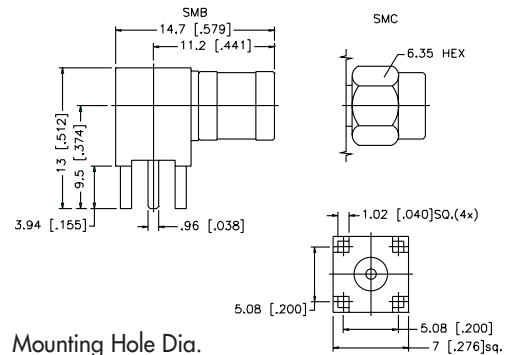
## STRAIGHT BULKHEAD JACK FOR P.C. BOARD

P.N.	Cable Group	Finish	Insulation	Impedance	Crimp Tool
<b>SMB CONNECTORS</b>					
142204	N/A	Nickel	Teflon	50	N/A
<b>SLIDE-ON</b>					
142209	N/A	Nickel	Teflon	50	N/A
142210	N/A	Gold	Teflon	50	N/A



## RIGHT ANGLE PLUG FOR P.C. BOARD

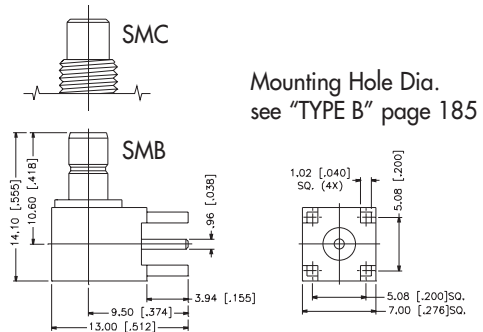
P.N.	Cable Group	Finish	Insulation	Impedance	Crimp Tool
<b>SMB CONNECTORS</b>					
142140	N/A	Nickel	Teflon	50	N/A
142141	N/A	Nickel	Teflon	75	N/A
142142	N/A	Gold	Teflon	50	N/A
142143	N/A	Gold	Teflon	75	N/A
<b>SMC CONNECTORS</b>					
152120	N/A	Nickel	Teflon	50	N/A
152121	N/A	Gold	Teflon	50	N/A



Mounting Hole Dia. see "TYPE B" page 185

## RIGHT ANGLE JACK FOR P.C. BOARD

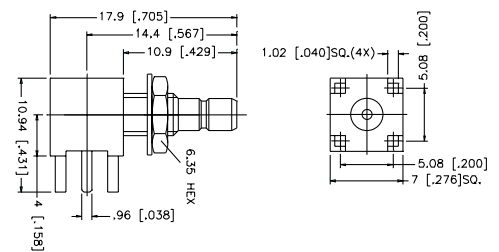
P.N.	Cable Group	Finish	Insulation	Impedance	Crimp Tool
<b>SMB CONNECTORS</b>					
142144	N/A	Nickel	Teflon	50	N/A
142145	N/A	Nickel	Teflon	75	N/A
142146	N/A	Gold	Teflon	50	N/A
142147	N/A	Gold	Teflon	75	N/A
142169	N/A	Tin/Lead	Teflon	50	N/A
<b>SMC CONNECTORS</b>					
152122	N/A	Nickel	Teflon	50	N/A
152123	N/A	Gold	Teflon	50	N/A



Mounting Hole Dia. see "TYPE B" page 185

## RIGHT ANGLE BULKHEAD JACK FOR P.C. BOARD

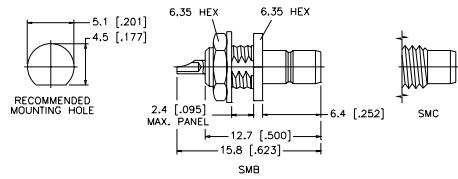
P.N.	Cable Group	Finish	Insulation	Impedance	Crimp Tool
<b>SMB CONNECTORS</b>					
142184	N/A	Gold	Teflon	50	N/A



Mounting Hole Dia. see "TYPE B" page 185

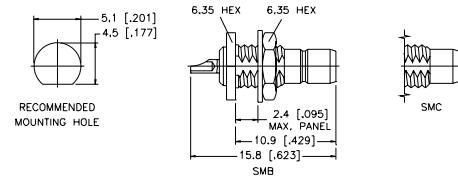
## BULKHEAD JACK RECEPTACLE — FRONT MOUNT

P.N.	Cable Group	Finish	Insulation	Impedance	Crimp Tool
<b>SMB CONNECTORS</b>					
142148	N/A	Nickel	Teflon	50	N/A
142149	N/A	Nickel	Teflon	75	N/A
142150	N/A	Gold	Teflon	50	N/A
142151	N/A	Gold	Teflon	75	N/A
<b>SMC CONNECTORS</b>					
152124	N/A	Nickel	Teflon	50	N/A
152125	N/A	Gold	Teflon	50	N/A



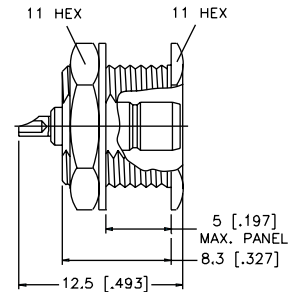
## BULKHEAD JACK RECEPTACLE — REAR MOUNT

P.N.	Cable Group	Finish	Insulation	Impedance	Crimp Tool
<b>SMB CONNECTORS</b>					
142152	N/A	Nickel	Teflon	50	N/A
142153	N/A	Nickel	Teflon	75	N/A
142154	N/A	Gold	Teflon	50	N/A
142155	N/A	Gold	Teflon	75	N/A
<b>SMC CONNECTORS</b>					
152126	N/A	Nickel	Teflon	50	N/A
152127	N/A	Gold	Teflon	50	N/A



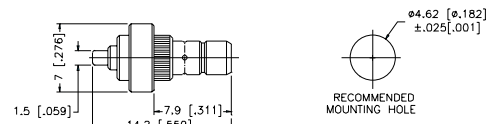
## BULKHEAD RECESSED JACK RECEPTACLE

P.N.	Cable Group	Finish	Insulation	Impedance	Crimp Tool
<b>SMB CONNECTORS</b>					
142156	N/A	Nickel	Teflon	50	N/A
142157	N/A	Nickel	Teflon	75	N/A
142158	N/A	Gold	Teflon	50	N/A
142159	N/A	Gold	Teflon	75	N/A



## PRESS FIT JACK RECEPTACLE

P.N.	Cable Group	Finish	Insulation	Impedance	Crimp Tool
<b>SMB CONNECTORS</b>					
142218	N/A	Gold	Teflon	50	N/A



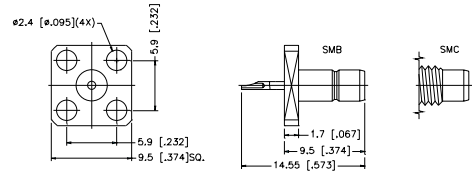
For Mini 75 ohm SMB connector, add -75 to standard 50 ohm part number. Contact Connex marketing for availability.  
 For Reverse Polarized connectors, add RP to standard part number. Contact Connex marketing for availability.  
 For Crimp Tool information, see page 183.

# PANEL MOUNT/SOLDER POT TERMINALS

For Cable Group Legend, see page 54

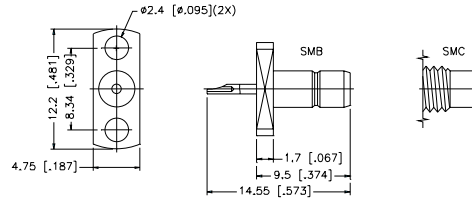
## PANEL MOUNT JACK RECEPTACLE — 4-HOLE SQUARE FLANGE

P.N.	Cable Group	Finish	Insulation	Impedance	Crimp Tool
<b>SMB CONNECTORS</b>					
142160	N/A	Nickel	Teflon	50	N/A
142161	N/A	Nickel	Teflon	75	N/A
142162	N/A	Gold	Teflon	50	N/A
142163	N/A	Gold	Teflon	75	N/A
<b>SMC CONNECTORS</b>					
152128	N/A	Nickel	Teflon	50	N/A
152129	N/A	Gold	Teflon	50	N/A



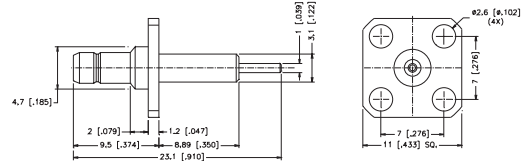
## PANEL MOUNT JACK RECEPTACLE — 2-HOLE FLANGE

P.N.	Cable Group	Finish	Insulation	Impedance	Crimp Tool
<b>SMB CONNECTORS</b>					
142164	N/A	Nickel	Teflon	50	N/A
142165	N/A	Nickel	Teflon	75	N/A
142166	N/A	Gold	Teflon	50	N/A
142167	N/A	Gold	Teflon	75	N/A
<b>SMC CONNECTORS</b>					
152130	N/A	Nickel	Teflon	50	N/A
152131	N/A	Gold	Teflon	50	N/A



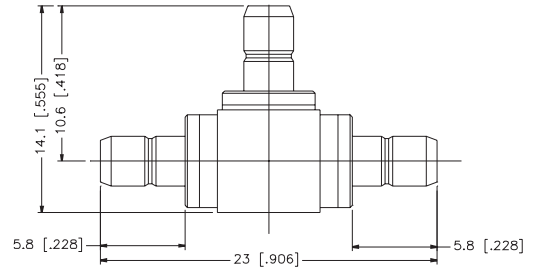
## PANEL MOUNT JACK RECEPTACLE — 2-HOLE/4-HOLE FLANGE, EXTENDED TEFLON

P.N.	Cable Group	Finish	Insulation	Impedance	Crimp Tool
<b>SMB CONNECTORS</b>					
142306	N/A	Gold	Teflon	50	N/A
4-HOLE FLANGE					
142307	N/A	Gold	Teflon	50	N/A
2-HOLE FLANGE					
<b>SMC CONNECTORS</b>					
152136	N/A	Gold	Teflon	50	N/A
4-HOLE FLANGE					



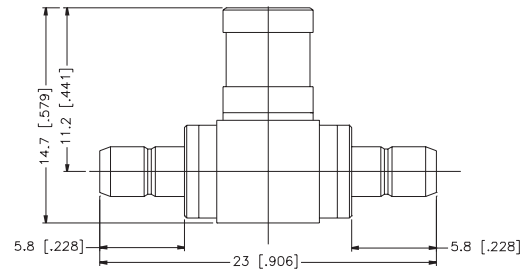
## JACK-TO-JACK-TO-JACK TEE ADAPTER

P.N.	Cable Group	Finish	Insulation	Impedance	Crimp Tool
142299	N/A	Gold	Teflon	50	N/A



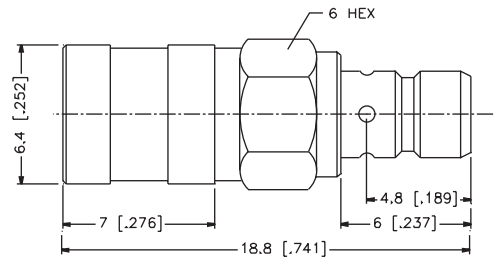
## JACK-TO-PLUG-TO-JACK TEE ADAPTER

P.N.	Cable Group	Finish	Insulation	Impedance	Crimp Tool
142300	N/A	Gold	Teflon	50	N/A



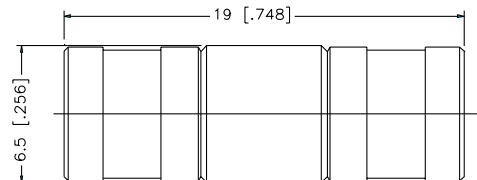
## PLUG-TO-JACK ADAPTER

P.N.	Cable Group	Finish	Insulation	Impedance	Crimp Tool
142310	N/A	Gold	Teflon	50	N/A



## PLUG-TO-PLUG ADAPTER

P.N.	Cable Group	Finish	Insulation	Impedance	Crimp Tool
142245	N/A	Nickel	Teflon	50	N/A
142246	N/A	Gold	Teflon	50	N/A



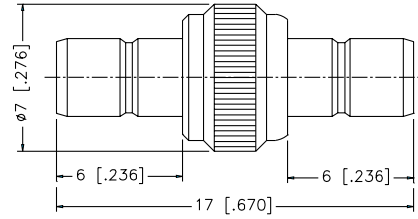
For Mini 75 ohm SMB connector (RG179/U Cable), add -75 to standard 50 ohm part number. Contact Connex marketing for availability.  
 For Reverse Polarized connectors, add RP to standard part number. Contact Connex marketing for availability.  
 For Crimp Tool information, see page 183.

# ADAPTERS

For Cable Group Legend, see page 54

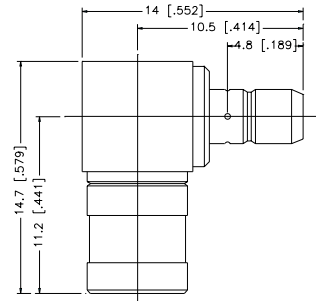
## JACK-TO-JACK ADAPTER

P.N.	Cable Group	Finish	Insulation	Impedance	Crimp Tool
142243	N/A	Nickel	Teflon	50	N/A
142244	N/A	Gold	Teflon	50	N/A



## PLUG-TO-JACK ADAPTER — RIGHT ANGLE

P.N.	Cable Group	Finish	Insulation	Impedance	Crimp Tool
142247	N/A	Nickel	Teflon	50	N/A
142248	N/A	Gold	Teflon	50	N/A



## JACK-TO-JACK ADAPTER — BULKHEAD

P.N.	Cable Group	Finish	Insulation	Impedance	Crimp Tool
142249	N/A	Nickel	Teflon	50	N/A
142250	N/A	Gold	Teflon	50	N/A

