



Amphenol Pcd is one of the world's leading suppliers of interconnect products for Military, Commercial Aerospace and Industrial applications. Located north of Boston in Beverly, Massachusetts, the company designs and manufactures a wide range of products; System Attachments, Junction Modules, Relay Sockets, Terminal Blocks, Rectangular & Circular Connectors, Cable Assemblies and Adapters. Each product is made and engineered with the highest quality standards in the industry. With facilities in North America and Asia, Amphenol Pcd products are chosen by thousands of OEMs around the world, reliant on Amphenol's technical excellence, global network of distributors, and cost-effective solutions for custom systems.

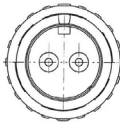
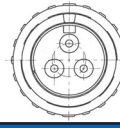
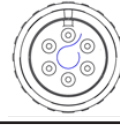
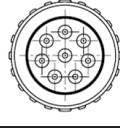
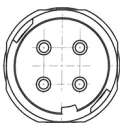
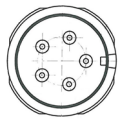
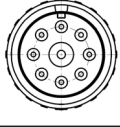
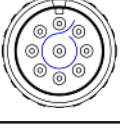
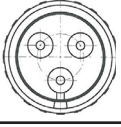
Amphenol Pcd

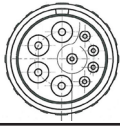


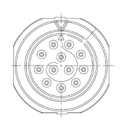

72 Cherry Hill Dr. • Beverly, MA. 01915
978.624.3400 • info@amphenolpcd.com
www.amphenolpcd.com

Materials & Specifications

Twist & Lock		
Materials	Insulator Body: Ultem / Polyetherimide	
	Grommet & Face Seal: Silicone Rubber	
	Contact Retainer: Stainless Steel	
	Plating: Nickel over Copper	
Temperature Range	-65° C to 175° C	
Temperature Life	500 hours @ 85° C	
Insulation Resistance	5000 MΩ Min. @ 500 VDC	
Dielectric Withstanding	1500 VAC, 60 Hz @ Sea Level, 1ma	
	300 VAC, 60 Hz @ 70,000 ft, 2ma	
Durability	min 100 mating cycles; 250 typical	
Altitude Immersion	5% salt solution, 75k feet	
Temperature Cycling	5(1) Hour Cycles: -65° C to 125° C	
Thermal Shock	-65° C to 200° C	
Vibration	30G Sinusoidal; 43.96G Random	
Shock	300G, 3msec, Half-Sine	
Housing Electrical Conductivity	6 milliohm	
EMI Shielding Effectiveness	65db @ 100Mhz	
	60db @ 200Mhz	
	55db @ 300Mhz	
	55db @ 400Mhz	
	45db @ 800Mhz 45db @ 1Ghz	
Salt Spray	5% Salt Spray @ 95° C for 48 Hours	
Humidity	10 Days @ 25° C to 65° C, 90% - 95% RH	
Fluid Immersion	Lubricating Oil per Mil-Prf-7808	
	Cleaning Compound per Mil-Prf-87937, Alkaline Base	
	Isopropyl Alcohol & Mineral Spirit Solution	
	Skydrol Hydraulic Fluid	
	Hydraulic Fluids per MIL-PRF-83282 MIL-PRF-87257	
	Ethylene Glycol Propylene Glycol Aviation Jet A	
Seal Rating	IP67	
Flammability	UL94, V0.	
	DOTG section 26.6.2 & 26.6.3 FAR Part 25 App F Part I	
RoHS & REACH Compliance	Yes	
Contact Insertion & Removal Force <small>(not to exceed)</small>	size 22	10 lbs
	size 20	10 lbs
	size 16	13 lbs
	size 12	15 lbs
Contact Retention <small>(minimum)</small>	size 22	10 lbs
	size 20	15 lbs
	size 16	25 lbs
Coupling Torque	size 12	30 lbs
Coupling Torque	less than 5lbs	

Shell Sizes

05 (max dia: 0.318)
2, size 22

3, size 22

07 (max dia: 0.448)
6, size 22

8, size 22

08 (max dia: 0.528)
4, size 16

5, size 22

9: 1, size 16; 8 size 22

9, size 22

3, size 16


10 (max dia: 0.630)
9: 4, size 16; 5 size 22

10: 4, size 16; 6 size 22

11 (max dia: 0.700)
3, size 12

12, size 22

14 (max dia: 0.875)
25, size 22


Pegasus Series

The Pegasus Series is Amphenol Pcd's latest innovation in small, lightweight, rugged connectors. Designed for use in harsh environments, Pegasus builds on the successful Luminus Aerospace connector with the addition of EMI shielding.

EMI shielding is provided by electroless copper and nickel plate, with a copper alloy spring finger gasket to ensure shell to shell conductivity. Tests show between 60db and 40db of attenuation, depending on frequency.

This combination of light weight, small size, and EMI shielding makes Pegasus the ideal choice where protection against ambient noise transients, or suppression of emitted noise is required, and space and weight are at a premium.

Typical applications include:

- Aviation & vehicle actuators
- Missile guidance & control systems
- Avionics sensors
- UAV control systems
- Communications links (USB, CAT5/6, VGA, Video)

Features & Benefits

Electroless Copper & Nickel plating

Shielding from ambient noise transients, suppression of emitted noise (DO-160G Section 21 categories B, L and M and DO-160G Section 20 categories S & T)

Scoop-Proof

Prevents contacts from being bent or electrically shorted during mating

1/4 turn bayonet style connection

Simple and easy mate & unmate. Blind mate keying

Stainless Steel Contact Retainers

High contact retention force over operating life cycle

Interfacial and Triple-Barrier Seal

Environmental sealing to IP67

Multiple Configurations

Inline, Square Flange, Oval Flange, Jamnut PCB, Circular Snap-In

Part Numbering (Accessories)

											
Shell Size	Strain Relief Single	Strain Relief Single 90°	Strain Relief Single 45°	Double Strain Relief	Double Side Tape Mount Cradle	Screw Mount Cradle	Tube Mount Cradle	Single Side Tape Tube Mount Cradle	Double Side Tape Tube Mount Cradle	Dummy Flanges	Hard Protective Caps
5	SJSA55000	SJSAA5100	SJSAA5200	SJSA56000	SJS257000	SJS257100	SJSA5V000	SJS5AV010	SJS5AV020	-	SJSA5B000
7	SJS450350	SJSA75100	SJSA75200	SJSA76000	SJS883000	SJS450250	SJSA7V000	SJSA7V010	SJSA7V020	SJS830220D	SJSA7B000
8	SJSA85000	SJSA85100	SJSA85200	SJSA86000	SJS445000	SJS450100	SJSA8V000	SJSA8V010	SJSA8V020	-	SJSA8B000
10	SJSA05000	SJSA05100	SJSA05200	SJSA06000	SJS991000	-	SJSA0V000	SJSA0V010	SJSA0V020	SJS0AA730D	SJSA0B000

Part Numbering (Twist & Lock)



# of Positions	Contact Size	Shell Size	Key	Color	Plug P/N	Inline Receptacle P/N	Circular Receptacle P/N	Square Receptacle PN	Jam Nut Stand-Off Receptacle PN	Oval Receptacle PN	Jam Nut Rear Mount Receptacle PN	Jam Nut Front Mount Receptacle PN
1	Quadrax	8	-	-	SJS801110P	SJS801120P	-	SJS801130P	SJS801160P	SJS801170P	-	SJS801190P
2	22D	5	-	black	SJS830250P	SJS830270P	-	-	-	SJS502170P	SJS502190P	-
2	22D	11	-	black	SJS1AE110P	SJS1AE120P	-	-	-	-	-	-
3	12	11	-	black	SJS1AE110P	SJS1AE120P	-	-	-	-	-	-
3	22D	5	-	black	SJS830210P	SJS830230P	-	-	-	SJS503170P	SJ503190P	-
3	20	7	-	white	SJS862300P	SJS862400P	-	SJS862450P	-	-	-	-
3	16	8	A	white	SJS840310P	SJS840300P	SJS840320P	-	-	-	-	-
3	16	8	B	black	SJS840340P	SJS840350P	SJS840330P	-	-	-	-	-
3	12	10	-	-	SJS003110P	SJS003120P	-	-	-	-	-	-
4	16	8	A	white	SJS840410P	SJS840400P	SJS840420P	-	SJS840760P	-	SJS840790P	-
4	16	8	B	white	SJS840440P	SJS840450P	SJS840430P	-	-	-	-	-
4	20	7	-	black	SJS704110P	SJS704120P	-	-	-	-	-	-
5	22D	8	-	white	SJS860510P	SJS860500P	SJS860520P	-	-	-	-	-
5	22D	8	-	white	SJS870510P	-	SJS870520P	-	-	-	-	-
6	22D	7	-	black	SJS861700P	SJS861800P	-	-	SJS706160P	-	-	-
8	22D	7	A	black	SJS830100P	SJS830200P	-	SJS830220P	SJS708160P	SJS708170P	SJS708180P	SJS708190P
8	22D	7	B	green	SJS830101P	SJS830201P	-	SJS830221P	-	-	-	-
8	22D	7	C	yellow	SJS830102P	SJS830202P	-	SJS830222P	-	-	-	-
9	22D	8	-	black	SJS862100P	SJS862200P	-	-	-	-	-	-
12	22D	8	-	white	SJS861300P	SJS861400P	-	-	-	-	-	-
12	22D	11	A	black	SJS112110P	SJS112120P	-	-	SJS112160P	-	-	-
12	22D	11	B	-	SJS112210P	SJS112220P	-	-	SJS112260P	-	-	-
12	22D	11	C	-	SJS112310P	SJS112320P	-	-	SJS112360P	-	-	-
12	22D	11	D	-	SJS112410P	SJS112420P	-	-	SJS112460P	-	-	-
25	22D	14	A	black	SJS425110P	SJS425120P	-	-	SJS425160P	-	-	-
25	22D	14	B	-	SJS425210P	SJS425220P	-	-	SJS425260P	-	-	-
25	22D	14	C	-	SJS425310P	SJS425320P	-	-	SJS425360P	-	-	-
25	22D	14	D	-	SJS425410P	SJS425420P	-	-	SJS425460P	-	-	-
5	12 (3)	11	-	black	SJS1AE110P	SJ1AE120P	-	-	-	-	-	-
	22 (2)						-	-	-	-	-	-
9	16 (1)	8	-	white	SJS860100P	SJS860200P	-	-	-	-	-	-
	22D (8)						-	-	-	-	-	-
9	16 (4)	10	-	white	SJS860910P	SJS860900P	-	SJS0AA730P	-	-	-	-
	22D (5)						-	-	-	-	-	
10	16 (4)	10	-	white	SJS861100P	SJS861200P	-	-	-	-	-	-
	22D (6)						-	-	-	-	-	

Contact Matrix

Contact Size	Contact Style	Available		Contact P/N		QPL Part No. (Machined Only)	Contact Retention	Crimp Tensile Strength
		Push-Pull	Twist-Lock	Machined	Stamped & Formed			
12	Pin	Yes	Yes	CNP058365	n/a	M39029/58-365	.012" [0,30mm] @ 30lbf [113N]	100lbf [445N]
	Socket	No	Yes	CNS057359	n/a	M39029/57-359		
16	Pin	Yes	Yes	CNP058364	SCP058364	M39029/58-364	.012" [0,30mm] @ 25lbf [111N]	40lbf [180N]
	Socket	No	Yes	CNS057358	SCS057358	M39029/57-358		
20	Pin	Yes	Yes	CNP058363	SCP058363	M39029/58-363	.012" [0,30mm] @ 20lbf [90N]	20lbf [90N]
	Socket	No	Yes	CNS057357	SCS057357	M39029/57-357		
22D	Pin	No	Yes	CNP058360	n/a	M39029/58-360	.012" [0,30mm] @ 10lbf [44N]	10 lbf [45N]
	Socket	No	Yes	CNS057354	n/a	M39029/57-354		

Contact Size	Wire Accommodations				Tool Information		
	Size (AWG)	Max Current Rating (A)	ØD Range	Strip Length	Basic Tool	Positioner	Insertion/Removal Tool
12	12	23	.097 - .142" [2,46 - 3,61mm]	.209 - .240" [5,31 - 6,10mm]	M22520/1-01	M22520/1-04 (Yellow)	M81969/14-04
	14	17					
16	16	13	.065 - .109" [1,65 - 2,77mm]	.209 - .240" [5,31 - 6,10mm]	M22520/1-01	M22520/1-04 (Blue)	M81969/14-03
	18	10					
	20	7.5			M22520/7-01	M22520/7-04	
20	20	7.5	.040 - .083" [1,02 - 2,11mm]	.209 - .240" [5,31 - 6,10mm]	M22520/1-01	M22520/1-04 (Red)	M81969/14-11
	22	5			M22520/2-01	M22520/2-10	
	24	3			M22520/7-01	M22520/7-08	
22D	22	5	.030 - .054" [0,76 - 1,37mm]	.141 - .172" [3,58 - 4,37mm]	M22520/2-01	M22520/2-06	M81969/14-01
	24	3					
	26	2			M22520/7-01	M22520/7-06	
	28	1.5					

Applications



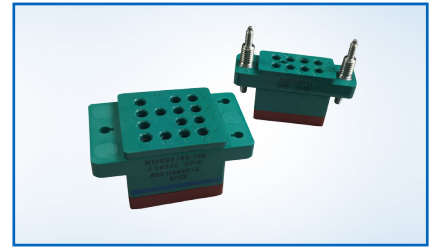
Amphenol Pcd Products



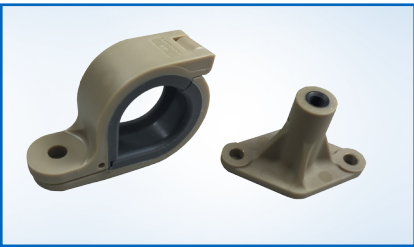
Backshells



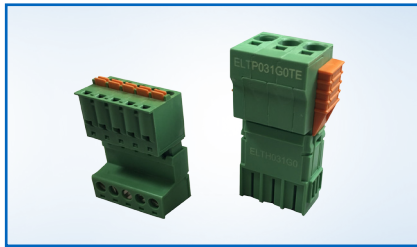
Cable Solutions &
Cable Adapters
NEW



Relay Sockets



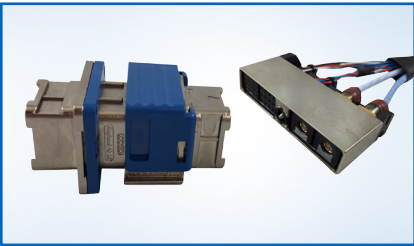
System
Attachments



Terminal Blocks



Junction Modules



SIM



Luminus Series



Circular



Waterproof
Solutions



Rugged Solutions



Military Audio
/Power