

CREATE YOUR PART NUMBER

1	2	3A	4	3B	5	6	7
MS27468	T	25	F	35	P	A	-LC
SHELL STYLE	CLASS	SIZE	PLATING	LAYOUT	CONTACT	POLARIZATION	MODIFIER
						(OMIT FOR NORMAL)	

(military part number example) *Note: Out of sequence

WHEN CHOOSING LAYOUT
 First Number = Step 3A – Shell Size, Dash = Step 4 – Plating, Second Number = 3B – Layout

1	2	3	5	6	4*	7
LJT07	RE-	25-35	P	A	-014	-LC
SHELL STYLE	CLASS	LAYOUT	CONTACT	POLARIZATION	PLATING*	MODIFIER
				(OMIT FOR NORMAL)		

(Commercial part number example)

STEP 1: SELECT SHELL STYLE, PLUG OR RECEPTACLE

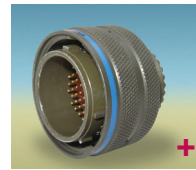
RECEPTACLES ← Mates with → PLUGS



MS27466 (LJT00R)
 Front Mount with Rear Accessory Threads.

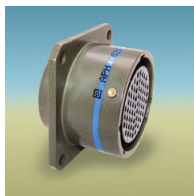


MS27656 (LJTPQ00R)
 Rear Mount with Rear Accessory Threads.

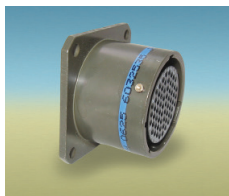


MS27467 (LJT06)

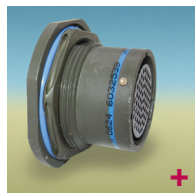
Available with PC pins. Contact us for details.



MS27496E (LJT02RE)
 Front Mount without Rear Accessory Threads.



MS27505E (LJTP02RE)
 Rear Mount without Rear Accessory Threads.



MS27468 (LJT07R)
 Jam Nut with Rear Accessory Threads.



(LJT01R)
 In-line with Accessory Threads.

STEP 2: SELECT CLASS



- E^o** = No rear accessories
- P^o** = Potting ring & cup
- T^o** = No rear accessories, NOT used on MS27505E & MS27496E
- RE** = No rear accessories
- RP** = Potting ring & cup
- RT** = No rear accessories, NOT used on LJT02RE & LJTP02RE
- RGF** = Electroless nickel-plated ground-plane aluminum 200°C
- RGW** = Olive drab cadmium-plated ground-plane aluminum

^o Military + Most Popular

STEP 3: SELECT LAYOUT

Layout	Service Rating	Contacts											Specials				
		Total	22D	22M	22	20	16	12	8	4	2/0	12*	10	8*	8**		
9-6	M	6		6													
9-35	M	6	6														
9-45	M	4			4												
9-98	I	3				3											
11-2G	I	2					2										
11-4♦	I	4				4											
11-5♦	I	5				5											
11-12(11-01)		1						1									
11-13	M	13		13													
11-35	M	13	13														
11-98	I	6				6											
11-99	I	7				7											
13-3P♦	II	3					3										
13-4G	I	4					4										
13-8	I	8				8											
13-22	M	22		22													
13-26	M	8	6					2									
13-35	M	22	22														
13-98	I	10				10											
15-4♦	I	4						4									
15-5G	II	5					5										
15-15	I	15				14	1										
15-18	I	18				18											
15-19♦	I	19				19											
15-35	M	37	37														
15-37	M	37		37													
15-68♦	I	8					8										
15-97	I	12				8	4										
17-2♦	M	39	38														1
17-6	I	6						6									
17-8G	II	8					8										
17-13♦	I	13					13										
17-22♦	COAX	4								2			2				
17-25♦	M	24	22										2				
17-26	I	26				26											
17-35	M	55	55														
17-42♦	M	42			42												
17-55	M	55		55													
17-75♦	I	2															2
17-99	I	23				21	2										
19-11G	II	11				11											
19-18♦	M	18	14														4
19-28		28				26	2										
19-30P♦	I	30				29	1										
19-32	I	32				32											
19-35	M	66	66														
19-53P♦	M	53			53												
19-66	M	66		66													
19-67♦♦P	M	67		67													
19-68♦♦P	I	18				18											
21-1	M	79		79													
21-2♦	M	65			65												
21-11♦G	I	11						11									
21-16G	II	16				16											
21-35	M	79		79													
21-39	I	39				37	2										
21-41	I	41				41											
21-48		4						4									
21-75♦G	N	4															(See Note 4)
21-79♦	II	19	17														(See Note 5)
23-1	M	100		100													
23-2	M	85			85												
23-6P♦G	M	6															6
23-14♦	I	14						14									
23-21G	II	21						21									
23-32P♦	I	32				32											
23-35	M	100	100														
23-53	I	53				53											
23-55♦	I	55				55											
23-P1(23-01)		1								1							
25-1	M	128		128													
25-2	M	100			100												
25-4	I	56				48	8										
25-7♦	M	99	97														2
25-11S♦	N	11				2						9					
25-19♦G	I	19						19									
25-20♦	N	30				10	13			4							3
25-24G	I	24					12	12									
25-29G	I	29					29										
25-35	M	128	128														
25-37♦♦G	I	37					37										
25-43♦	I	43				23	20										
25-46♦	I	46				40	4										(See Note 6)
25-61	I	61				61											
25-1AC(24-44)	M	8						4			4						

For listing by # of contacts, ⇨ see pages 188-191.

STEP 4: SELECT PLATING

Finish	Military	Commercial	Commercial +SR
Cadmium-plated nickel base	A	-	SR
Olive drab cadmium-plated nickel base	B	014	386
Electroless nickel	F	023	424
Electroless nickel space-compatible	-	453	467
Anodic coating (Alumilite)	C	005	300
Chromate-tested (Iridite 14-2)	-	011	344
Passivated steel (Hermetic only)	E	-	-
Stainless steel	-	155	-
Olive drab zinc cobalt	-	W52	-

SR = Strain Relief

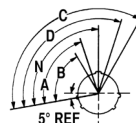
STEP 5: SELECT CONTACT

- P** = Pin
S = Socket
H = 1500 Mating Cycles Pin
- J** = 1500 Mating Cycles Socket
A = Less Pin Contacts
B = Less Socket Contact

STEP 6: SELECT POLARIZATION

- N** = Normal Standard (Omit for normal)
A = Highly-Popular
B = Limited Availability
C = Check for Availability
D = Check for Availability

Shell Size	N	A	B	C	D
9	95	77	-	-	113
11	95	81	67	123	109
13	95	75	63	127	115
15	95	74	61	129	116
17	95	77	65	125	113
19	95	77	65	125	113
21	95	77	65	125	113
23	95	80	69	121	110
25	95	80	69	121	110



Mating Face of Receptacle

STEP 7: SELECT MODIFIER

Note: LC is not marked on part

- Omit** for standard contacts
LC = less contacts, wire hole fillers and plastic insertion/extraction tool.
 (Purchase Order must state Less Contacts)

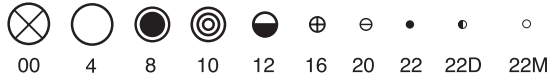
- (4) MS Connector 21-75 is supplied with four size-8 twinax contacts. Proprietary connector 21-75 is supplied with four size-8 coax contacts.
 (5) MS connector 21-79 has provision for two size-8 coax contacts. Coax contacts are not supplied unless specified by customer.
 (6) 25-46 is supplied two size-8 coax contacts for RG180/U & RG195/U cable.

Note: Coaxial type contacts are only rated for 175°C (347°F).

- NOT QPL'D ♦ Not Toolled for RP or 02RE **P** = Pin Insert Only
*** Coax** **** Twinax** **S** = Socket Insert Only
G = Grounded

LAYOUTS BY NUMBER OF CONTACTS

View of Mating-Face of Pin Insert



Drawing not to scale; mating face view of pin insert shown (socket view is opposite)

CONTACTS 1 2 3 4

LAYOUT # OF CONTACTS SERVICE RATING	11-12 1-#12 -	23-P1 (23-01) 1-#00 -	9-22 2-#20 I	11-2♦G 2-#16 I
		17-75 2-#8** I	9-98 3-#20 I	13-3P• 3-#16 II
		9-44 4-#22 M	11-4♦ 4-#20 I	

CONTACTS 4 5

LAYOUT # OF CONTACTS SERVICE RATING	13-4G 4-#16 I	15-4♦♦ 4-#12 I
	17-22♦♦ 2-#12* 2-#8* COAX	21-75♦G 4-#8** N
	21-48 4-#8 Power -	11-5♦ 5-#20 I
		15-5G 5-#16 II

CONTACTS 6 7 8

LAYOUT # OF CONTACTS SERVICE RATING	9-6 6-#22M M	9-35 6-#22D M	11-98 6-#20 I
		17-6 6-#12 I	23-6P•G 6-#8** M
		11-99 7-#20 I	13-8 8-#20 I
			13-26 6-#22D, 2-#12 M

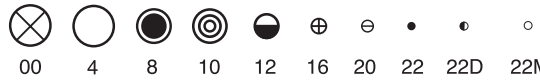
CONTACTS 8 10 11

LAYOUT # OF CONTACTS SERVICE RATING	15-68♦♦ 8-#16 I	17-8G 8-#16 II	25-1A (24-44) 4-#16, 4-#4 M
		13-98 10-#20 I	19-11G 11-#16 II

*Coax **Twinax • NOT QPL'D ♦ Not Tooled for RP or 02RE P = Pin Insert Only S = Socket Insert Only G = Grounded Contact us for more information.

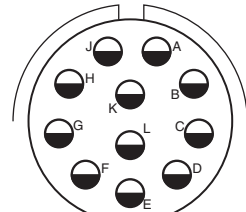
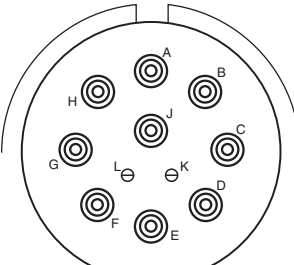



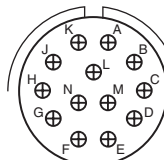
LAYOUTS BY NUMBER OF CONTACTS

View of Mating-Face of Pin Insert

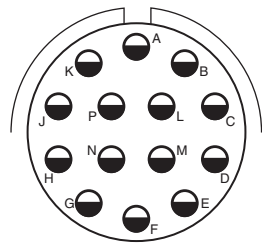
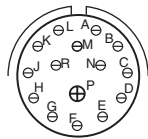
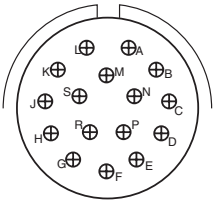
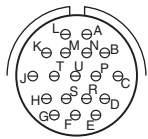
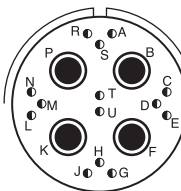


Drawing not to scale; mating face view of pin insert shown (socket view is opposite)

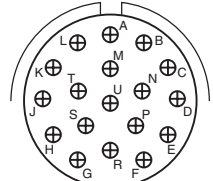
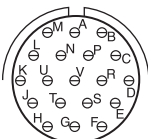
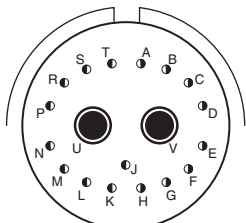
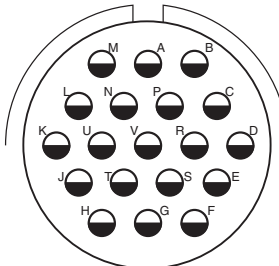
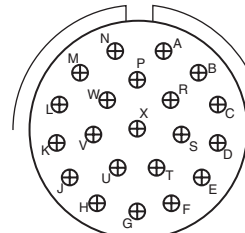
CONTACTS 11 12 13

<p>LAYOUT # OF CONTACTS SERVICE RATING</p>	 21-11♦G 11-#12 I	 25-11S♦ 2-#20, 9-#10* N	 15-97 8-#20, 4-#16 I	 11-13 13-#22M M	 11-35 13-#22D M	 17-13♦ 13-#16 I
---	--	---	---	---	---	---

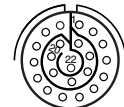

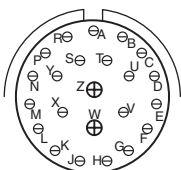
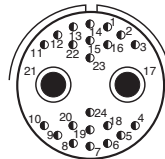
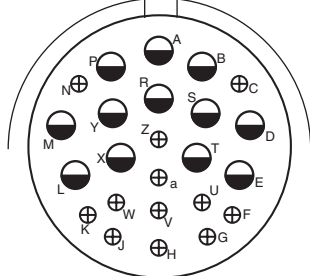
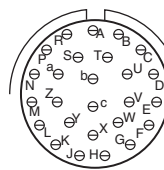
CONTACTS 14 15 16 18

<p>LAYOUT # OF CONTACTS SERVICE RATING</p>	 23-14♦ 14-#12 I	 15-15 14-#20, 1-#16 I	 21-16G 16-#16 II	 15-18 18-#20 I	 19-18♦ 14-#22D, 4-#8** M
---	---	---	---	--	--

CONTACTS 18 19 21

<p>LAYOUT # OF CONTACTS SERVICE RATING</p>	 19-68P♦ 18-#16 I	 15-19♦ 19-#20 I	 21-79♦ 17-#22D, 2-#8* II	 25-19♦G 19-#12 I	 23-21G 21-#16 II
---	--	---	--	---	--

CONTACTS 22 23 24 26

<p>LAYOUT # OF CONTACTS SERVICE RATING</p>	 13-22 22-#22M M	 13-35 22-#22D M	 17-99 21-#20, 2-#16 I	 17-25♦♦* 22-#22D, 2-#8 M	 25-24G 12-#16, 12-#12 I	 17-26 26-#20 I
---	---	---	---	--	--	--

*Coax **Twinax • NOT QPL'D ♦ Not Tooled for RP or 02RE P = Pin Insert Only S = Socket Insert Only G = Grounded Contact us for more information.

LAYOUTS BY NUMBER OF CONTACTS

View of Mating-Face of Pin Insert



Drawing not to scale; mating face view of pin insert shown (socket view is opposite)

CONTACTS	28	29	30	
LAYOUT # OF CONTACTS SERVICE RATING	19-28 26-#20, 2-#16 I	25-29G 29-#16 I	19-30P• 29-#20, 1-#16 I	25-20♦ 10-#20, 13-#16, 4-#12*, 3-#8** I
CONTACTS	32	36	37	
LAYOUT # OF CONTACTS SERVICE RATING	19-32 32-#20 I	23-32P• 32-#20 I	23-36♦ 36-#20 I	15-35 37-#22D M
15-37 37-#22M M				
CONTACTS	37	39	41	42
LAYOUT # OF CONTACTS SERVICE RATING	25-37♦G 37-#16 I	17-2♦ 38-#22D, 1-#8** M	21-39 37-#20, 2-#16 I	21-41 41-#20 I
17-42• 42-#22 M				
CONTACTS	43	46	53	
LAYOUT # OF CONTACTS SERVICE RATING	25-43♦ 23-#20, 20-#16 I	25-46♦ 40-#20, 4-#16, 2-#8** I	19-53P• 53-#22 M	23-53 53-#20 I

*Coax **Twinax • NOT QPL'D ♦ Not Tooled for RP or 02RE P = Pin Insert Only S = Socket Insert Only G = Grounded Contact us for more information.

LAYOUTS BY NUMBER OF CONTACTS

View of Mating-Face of Pin Insert



Drawing not to scale; mating face view of pin insert shown (socket view is opposite)

CONTACTS	55			56		61		
LAYOUT # OF CONTACTS SERVICE RATING	17-35 55-#22D M	17-55 55-#22M M	23-55 ♦ 55-#20 I	25-4 48-#20, 8-#16 I	25-61 61-#20 I			
CONTACTS	65		66		67		79	
LAYOUT # OF CONTACTS SERVICE RATING	21-2 ♦ 65-#22 M	19-35 66-#22D M	19-66 66-#22M M	19-67 P ♦ 67-#22M M	21-1 79-#22M M			
CONTACTS	79		85		99		100	
LAYOUT # OF CONTACTS SERVICE RATING	21-35 79-#22D M	23-2 85-#22 M	25-7 ♦ 97-#22D, 2-#8** M	23-1 100-#22M M				
CONTACTS	100			128				
LAYOUT # OF CONTACTS SERVICE RATING	23-35 100-#22D M	25-2 100-#22 M	25-1 128-#22M M	25-35 128-#22D M				

*Coax **Twinax • NOT QPL'D ♦ Not Tooled for RP or 02RE P = Pin Insert Only S = Socket Insert Only G = Grounded Contact us for more information.